

GC124 Cast Iron Residential Gas Boiler

Buderus

Bosch Group



Thinking Replacement? Think Buderus!

- Stainless Steel Corrosion Resistant Premix Burners
- GL-180M Flexible Cast Iron
- Electronic Ignition
- Side Piping Design for Convenient Boiler Retrofit Installation
- 3 Models with Inputs from 74,000 to 132,500 BTU/Hr

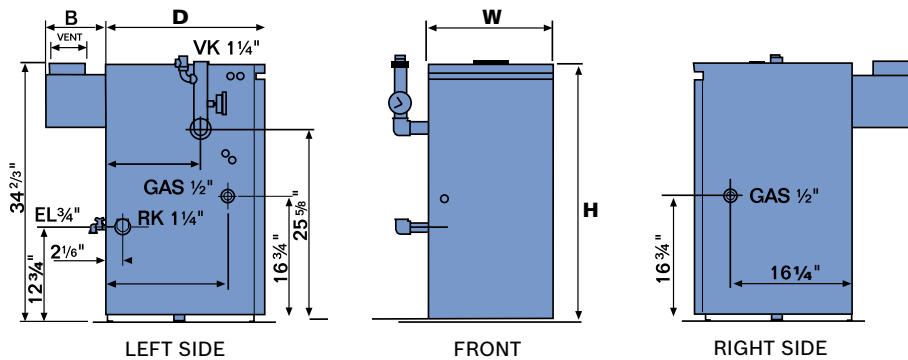
Comfortable. Efficient. Intelligent Heating.

GC124: Cast Iron Residential Gas Boiler

Designed and Manufactured by the World Leader in Water Heating.

The Buderus GC124 boiler is a compact, modular boiler with all the features and benefits Buderus customers have come to expect. Designed for replacement applications, the GC124 is capable of delivering AFUE efficiencies of up to 84%, with heating capacities of 74,000 through 133,000 BTU/Hr. All GC124 boilers are CSA approved for installation on combustible floors and have electronic ignition.

The GC124 features Buderus' patented GL-180M Flexible Cast Iron and unique stainless steel premix burners for maximum corrosion resistance. Additional standard equipment on the GC124 includes high precision castings with steel push nipples, Honeywell aquastat, tridicator gauge, 30 psi relief valve, a circulator with a 3" whip and a built-in draft hood with integral draft diverter. All models are shipped ready for natural gas operation, and can be easily field converted to liquid propane gas operation using the optional conversion kit. The GC124 is designed for elevations up to 8500'.



Electronic Ignition with Vent Damper for Conventional Chimney Venting.*

	GC124/3 II	GC124/4 II	GC124/5 II
Input BTU/Hr	74,000	103,000	132,500
D.O.E. Capacity BTU/Hr	62,000	87,000	112,000
AFUE (%)	84	84	84
Dimensions (h x w x d)	34 5/8" x 13 1/8" x 21 1/2"	34 5/8" x 16 3/4" x 21 1/2"	34 5/8" x 20 5/8" x 21 1/2"
Piping Connections Supply	1 1/4" NPT	1 1/4" NPT	1 1/4" NPT
Piping Connections Return	1 1/4" NPT	1 1/4" NPT	1 1/4" NPT
FLUE (Vent/B)	5" / 8"	5" / 8 2/3"	6" / 9 1/2"
Weight (lbs.)	228	287	349.5
Part No.	1-GC124-18IIG	1-GC124-25IIG	1-GC124-32IIG



MAP #
G1-1206-13

*GC124 models are not suitable for use with Logamatic controls. The GC124 is not currently available for export to Canada.