



Air Conditioning & Heating

PRODUCT SPECIFICATIONS



95%/93% AFUE

HEATING INPUT:
46,000–115,000 BTU/H



For full warranty details, visit www.goodmanmfg.com.

GMH95/GCH9

MULTI-POSITION, DUAL\$AVER™

CONVERTIBLE, MULTI-SPEED

GAS FURNACE

The Goodman® GMH95/GCH9 95%/93% AFUE Dual\$aver™ Convertible, Multi-Speed, Multi-Position furnaces feature a patented aluminized-steel tubular heat exchanger and durable Silicon Nitride Hot Surface Ignition system.

Standard Features

- Patented TuffTube™ dual-diameter tubular heat exchanger with lifetime limited warranty plus 10-year limited furnace replacement warranty
- Two-stage gas valve with revolutionary new convertible technology that allows installer to activate the two-stage valve with the flip of a dipswitch
- Silicon Nitride igniter with patented adaptive learning control for maximum igniter life
- Furnace control board with self-diagnostics, color-coded low-voltage terminals, and provisions for electronic air cleaner and 24-volt humidifiers
- Control board stores the last five diagnostic codes in memory; simple push-button activation outputs the fault history to a flashing red LED
- Low constant fan allows homeowner to activate the low heat speed to efficiently circulate air throughout the home.
- Self-adjusting feature automatically adjusts to high or low stage based on outside temperature without an outdoor temperature sensor
- Dual-certified for sealed combustion direct vent (2-pipe) or non-direct vent (1-pipe) applications
- Easy-to-install top venting is standard; alternate flue/vent located on the right (GMH95)
- All models comply with California NOx emissions standards

Cabinet Features

- Fully insulated, heavy-gauge steel cabinet with durable baked-enamel finish
- Foil-faced insulation lines the heat exchanger
- Designed for multi-position installation — GMH95: upflow, horizontal left or right; GCH9: downflow, horizontal left or right
- Airtight solid bottom for side-return applications and easy-cut tabs for effortless removal in bottom air inlet applications
- Convenient left or right connection for gas & electric service
- Coil and furnace fit flush for most installations

Contents

Nomenclature	2
Product Specifications	3
Dimensions	4
Blower Performance Specifications	7
Wiring Diagrams.....	13
Accessories	15



NOMENCLATURE

	G	M	H	95	70	4	B	X	A	
	1	2	3	4,5	6,7,8	9	10	11	12	
Brand	G Goodman® Brand or Distinctions™									Revisions
										A Initial Release
										B 1st Revision
										C 2nd Revision
Airflow Direction	C Downflow/Horizontal D Dedicated Downflow H High Airflow K Dedicated Upflow M Upflow/Horizontal									NOx
										N Natural Gas
										X Low NOx
Description	V Two-Stage/Variable-speed H Two-Stage/Multi-speed S Single-Stage/Multi-speed E Two-Stage/X-13 Motor									Cabinet Width
										A 14"
										B 17½"
										C 21"
										D 24½"
AFUE	95 95% 9 90%+ 8 80%									Maximum CFM @ 0.5" ESP
										3 1,200
										4 1,600
										5 2,000
										MBTU/h
										045: 45,000 115: 115,000
										070: 70,000 140: 140,000
										090: 90,000

SPECIFICATIONS FOR GMH95

	GMH95 0453BXA	GMH95 0703BXA	GMH95 0704CXA	GMH95 0904CXA	GMH95 0905DXA	GMH95 1155DXA
Heating Capacity						
Input ¹	46,000	69,000	69,000	92,000	92,000	115,000
Natural Gas Output ¹	44,600	66,400	66,400	89,000	88,400	110,500
LP Gas Output ¹	39,330	58,995	58,995	78,660	78,660	98,325
AFUE ²	95	95	95	95	95	95
Available AC @ 0.5" ESP	3	3	4	4	5	5
Temperature Rise Range (°F)	35 - 65	35 - 65	35 - 65	35 - 65	35 - 65	35 - 65
Circulator Blower						
Size (D x W)	10" x 8"	10" x 8"	10" x 10"	10" x 10"	11" x 10"	11" x 10"
Horsepower @ 1075 RPM	1/3	1/3	1/2	1/2	3/4	3/4
Speed	4	4	4	4	4	4
Vent Diameter ³	2"	2"	2"	2"	3"	3"
No. of Burners	2	3	3	4	4	5
Filter Size (in²)						
Permanent ⁴	290	288	385	385	480	486
Disposable	580	580	770	770	960	960
Electrical Data						
Min. Circuit Ampacity ⁵	9.4	9.4	13.8	13.8	13.2	13.2
Max. Overcurrent Device (amps) ⁶	15	15	15	15	15	15
Ship Weight (lbs)	132	135	136	158	172	175

1- Natural Gas BTU/h. For altitudes above 2,000', reduce input rating 4% for each 1,000' above sea level. Low-fire rate is 75% of high-fire rate

2- DOE AFUE based upon Isolated Combustion System (ICS)

3- Vent and combustion air diameters may vary depending upon vent length. Refer to the latest editions of the National Fuel Gas Code NFPA 54/ANSI Z223.1 (in the USA) and the Canada National Standard of Canada, CAN/CSA B149.1 and CAN/CSA B142.2 (in Canada).

4- Permanent air filter size is based on 600 FPM velocity. Check with filter manufacturer for specific details.

5- Minimum Circuit Ampacity = (1.25 x Circulator Blower Amps) + ID Blower amps. Wire size should be determined in accordance with National Electrical Codes. Extensive wire runs will require larger wire sizes.

6- Maximum Overcurrent Protection Device refers to maximum recommended fuse or circuit breaker size. Must use fuses or HACR-type circuit breakers of the same size as noted.

Notes:

- All furnaces are manufactured for use on 115 VAC, 60 Hz, single-phase electrical supply.
- Gas Service Connection 1/2" FPT
- Important: Size fuses and wires properly and make electrical connections in accordance with the National Electrical Code and/or all existing local codes.

SPECIFICATIONS FOR GCH9

	GCH9 0453BXA	GCH9 0703BXA	GCH9 0704CXA	GCH9 0904CXA	GCH9 0905DXA	GCH9 1155DXA
Heating Capacity						
Natural Gas Input ¹	46,000	69,000	69,000	92,000	92,000	115,000
Natural Gas Output ¹	42,800	64,400	64,400	86,000	86,000	106,500
LP Gas Output ¹	38,502	57,753	57,753	77,004	77,004	96,255
AFUE ²	93	93	93	93	93.0	93
Available AC @ 0.5" ESP	3	3	4	4	5	5
Temperature Rise Range (°F)	35 - 65	35 - 65	35 - 65	40 - 70	35-65	40 - 70
Circulator Blower						
Size (D x W)	10" x 8"	10" x 8"	10" x 10"	10" x 10"	11" x 10"	11" x 10"
Horsepower @ 1075 RPM	1/3	1/3	1/2	1/2	3/4	3/4
Speed	4	4	4	4	4	4
Vent Diameter ³	2"	2"	2"	2"	2"	2"
No. of Burners	2	3	3	4	4	5
Filter Size (in2)						
Permanent ⁴	288	282	260	376	376	470
Disposable	576	564	564	752	752	940
Electrical Data						
Min. Circuit Ampacity ⁵	9.4	9.4	13.8	13.8	12.2	13.2
Max. Overcurrent Device (amps) ⁶	15	15	15	15	15	15
Ship Weight (lbs)						
	132	135	135	156	173	175

1- Natural Gas BTU/h. For altitudes above 2,000', reduce input rating 4% for each 1,000' above sea level. Low-fire rate is 75% of high-fire rate

2- DOE AFUE based upon Isolated Combustion System (ICS)

3- Vent and combustion air diameters may vary depending upon vent length. Refer to the latest editions of the National Fuel Gas Code NFPA 54/ANSI Z223.1 (in the USA) and the Canada National Standard of Canada, CAN/CSA B149.1 and CAN/CSA B142.2 (in Canada).

4- Permanent air filter size is based on 600 FPM velocity. Check with filter manufacturer for specific details.

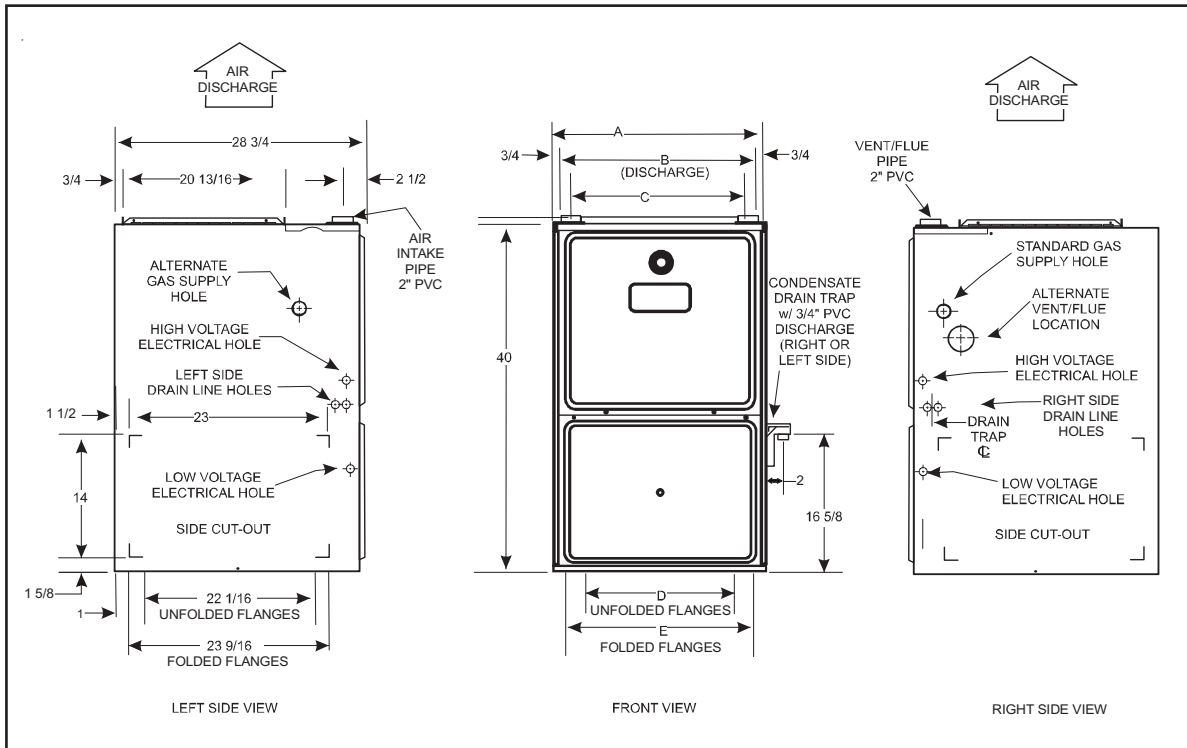
5- Minimum Circuit Ampacity = (1.25 x Circulator Blower Amps) + ID Blower amps. Wire size should be determined in accordance with National Electrical Codes. Extensive wire runs will require larger wire sizes.

6- Maximum Overcurrent Protection Device refers to maximum recommended fuse or circuit breaker size. Must use fuses or HACR-type circuit breakers of the same size as noted.

Notes:

- All furnaces are manufactured for use on 115 VAC, 60 Hz, single-phase electrical supply.
- Gas Service Connection 1/2" FPT
- Important: Size fuses and wires properly and make electrical connections in accordance with the National Electrical Code and/or all existing local codes.

GMH95 DIMENSIONS



Model	A	B	C	D	E
GMH950453BXA	17 1/2"	16"	13 1/8"	12 1/8"	13 5/8"
GMH950703BXA	17 1/2"	16"	13 1/8"	12 1/8"	13 5/8"
GMH950704CXA	21"	19 1/2"	16 1/8"	16"	17 1/2"
GMH950904CXA	21"	19 1/2"	16 1/8"	16"	17 1/2"
GMH950905DXA	24 1/2"	23"	20 5/8"	19 3/8"	20 7/8"
GMH951155DXA	24 1/2"	23"	20 5/8"	19 3/8"	20 7/8"

Notes:

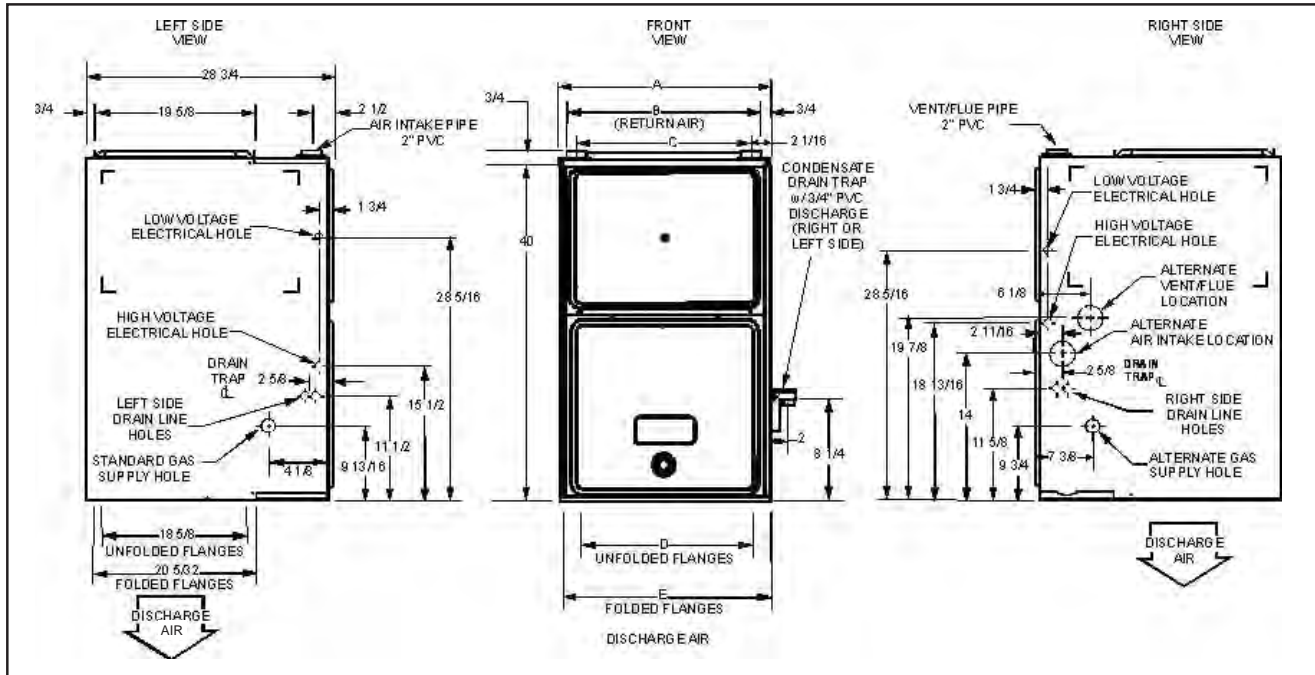
- Installer must supply one or two PVC pipes: one for combustion air (optional) and one for the flue outlet (required). Vent pipe must be either 2" or 3" in diameter, depending upon furnace input, number of elbows, length of run, and installation (1 or 2 pipes). The optional combustion air pipe is dependent on installation/code requirements and must be 2" or 3" diameter PVC.
- Line voltage wiring can enter through the right or left side of furnace. Low-voltage wiring can enter through the right or left side of furnace.
- Conversion kits for high-altitude natural gas operation are available. Contact your Goodman distributor or dealer for details.
- Installer must supply the following gas line fittings, according to which entrance is used:
Left: One 90° street elbow; one 2 1/2" pipe nipple; one 90° elbow; straight pipe; one ground joint union
Right: Straight pipe to reach gas valve
- Installations using a bottom return: Failure to unfold duct flanges will reduce airflow area by approximately 18%. This could result in performance and noise issues.

MINIMUM CLEARANCES TO COMBUSTIBLE MATERIALS

Position	Sides	Rear	Front	Bottom	Flue	Top
Upflow	0"	0"	1"	C	0"	1"
Horizontal	6"	0"	1"	C	0"	4"

- C = If placed on combustible floor, the floor MUST be wood ONLY.
- For servicing or cleaning, a 24" front clearance is recommended.
- Unit connections (electrical, flue, and drain) may necessitate greater clearances than the minimum clearances listed above.
- **In all cases, accessibility clearance must take precedence over clearances from the enclosure where accessibility clearances are greater.**
- Approved for line contact in the horizontal position

GCH9 DIMENSIONS



Model	A	B	C	D	E
GCH90453BXA	17½"	16"	12⅝"	14½"	16"
GCH90703BXA	17½"	16"	12⅝"	14½"	16"
GCH90704CXA	21"	19½"	16⅜"	18"	19½"
GCH90904CXA	21"	19½"	16⅜"	18"	19½"
GCH90905DXA	24½"	23"	20⅝"	21½"	23"
GCH91155DXA	24½"	23"	20⅝"	21½"	23"

Notes:

- Installer must supply one or two PVC pipes: one for combustion air (optional) and one for the flue outlet (required). Vent pipe must be either 2" or 3" in diameter, depending upon furnace input, number of elbows, length of run, and installation (1 or 2 pipes). The optional combustion air pipe is dependent on installation/code requirements and must be 2" or 3" diameter PVC.
- Line voltage wiring can enter through the right or left side of furnace. Low-voltage wiring can enter through the right or left side of furnace.
- Conversion kits for high-altitude natural gas operation are available. Contact your Goodman distributor or dealer for details.
- Installer must supply the following gas line fittings, according to which entrance is used:
Left: One 90° street elbow; one 2½" pipe nipple; one 90° elbow; straight pipe; one ground joint union
Right: Straight pipe to reach gas valve
- Installations using a bottom return: Failure to unfold duct flanges will reduce airflow area by approximately 18%. This could result in performance and noise issues.

MINIMUM CLEARANCES TO COMBUSTIBLE MATERIALS

Position	Sides	Rear	Front	Bottom	Flue	Top
Downflow	0"	0"	1"	NC	0"	1"
Horizontal	6"	0"	1"	C	0"	4"

C = Combustible: If placed on combustible floor, the floor MUST be wood ONLY.

NC = Non-Combustible: A combustible floor sub-base must be used for installation on combustible flooring

Notes:

- For servicing or cleaning, a 24" front clearance is recommended.
- Unit connections (electrical, flue and drain) may necessitate greater clearances than the minimum clearances listed below.
- **In all cases, accessibility clearance must take precedence over clearances from the enclosure where accessibility clearances are greater.**

GMH95 BLOWER PERFORMANCE SPECIFICATIONS

(CFM & Temperature Rise vs. External Static Pressure)															
Model	Motor Speed	Tons AC at 0.5" ESP	External Static Pressure, (Inches Water Column)												
			0.1		0.2		0.3		0.4		0.5		0.6	0.7	0.8
			CFM	Rise	CFM	Rise	CFM	Rise	CFM	Rise	CFM	Rise	CFM	CFM	CFM
GMH95 0453BXA	High	3	1,352	29	1,318	30	1,260	31	1,202	33	1,128	35	1,044	955	853
	Med	2.5	1,214	32	1,172	34	1,123	35	1,064	37	1,012	39	938	859	741
	Med-Lo	2	997	40	994	40	960	41	923	43	884	45	817	741	611
	Low	1.5	757	52	753	52	734	54	704	56	674	59	620	524	438
GMH95 0703BXA	High	3	1,449	41	1,409	42	1,326	45	1,273	47	1,201	49	1,194	1,136	1,018
	Med	2.5	1,192	50	1,172	51	1,141	52	1,094	54	1,046	57	973	904	793
	Med-Lo	2	981	61	962	62	943	63	917	65	888	67	830	764	665
	Low	1.5	750	79	730	81	714	83	692	86	657	90	620	570	502
GMH95 0704CXA	High	4	2,069	29	1,965	30	1,871	32	1,756	34	1,661	36	1,549	1,415	1,275
	Med	3.5	1,752	34	1,724	34	1,667	36	1,603	37	1,488	40	1,402	1,290	1,082
	Med-Lo	3	1,437	41	1,437	41	1,417	42	1,369	43	1,320	45	1,256	1,140	984
	Low	2.5	1,184	50	1,177	50	1,161	51	1,132	52	1,095	54	1,047	928	837

Notes:

- CFM in chart is without filter(s). Filters do not ship with this furnace, but must be provided by the installer.
- All furnaces ship as high-speed cooling and medium-speed heating. Installer must adjust blower cooling & heating speed as needed.
- For most applications, about 400 CFM per ton when cooling is desirable.
- INSTALLATION IS TO BE ADJUSTED TO OBTAIN TEMPERATURE RISE WITHIN THE RANGE SPECIFIED ON THE RATING PLATE.
- The chart is for information only. For satisfactory operation, external static pressure should not exceed value shown on the rating plate. The shaded area indicates ranges in excess of the recommended maximum heating static pressure.
- The above chart is for furnaces installed at 0-2000 feet. At higher altitudes, a properly de-rated unit will have approximately the same temperature rise at a particular CFM, while ESP at the CFM will be lower.

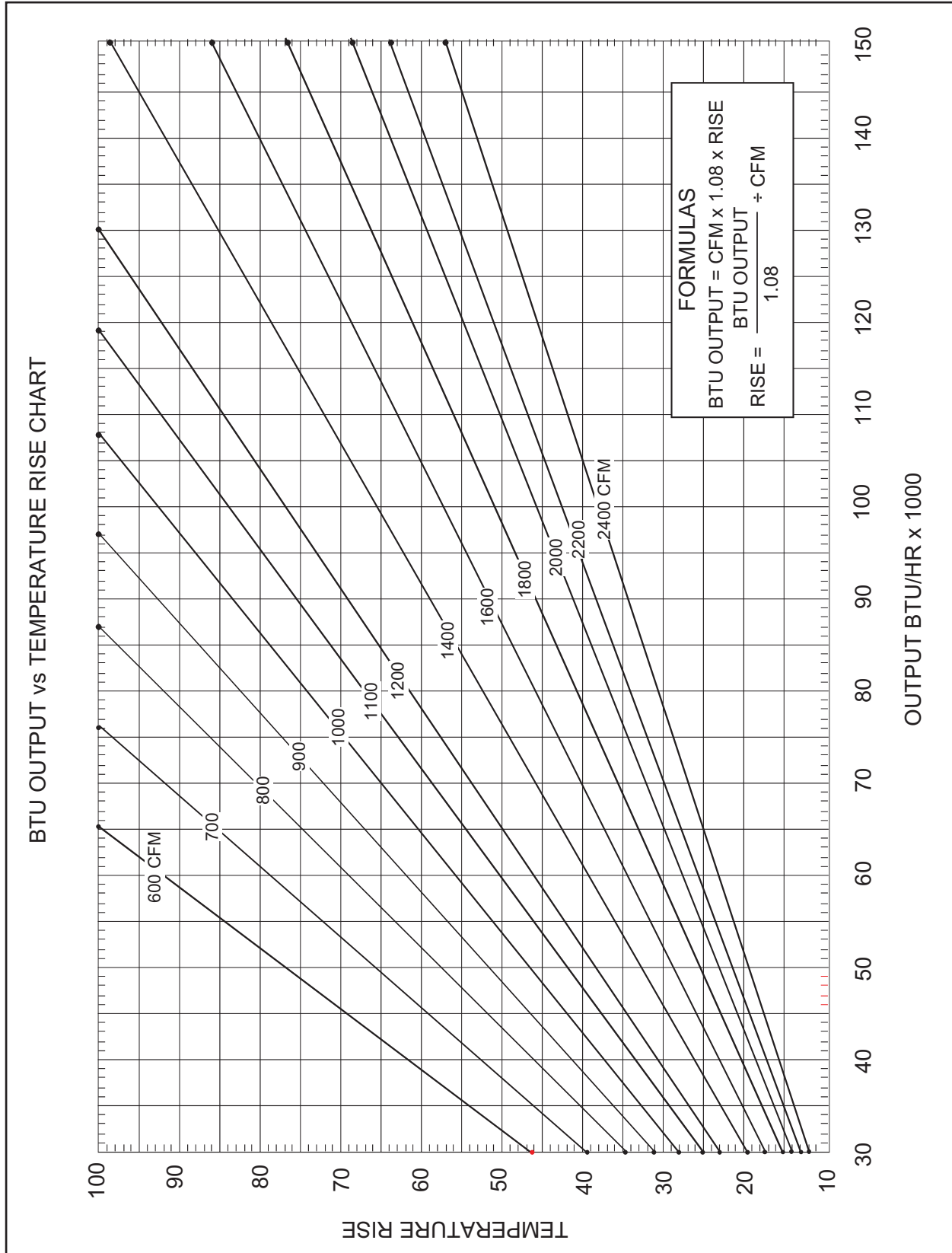
GMH95 BLOWER PERFORMANCE SPECIFICATIONS (CONT.)

(CFM & Temperature Rise vs. External Static Pressure)															
Model	Motor Speed	Tons AC at 0.5" ESP	External Static Pressure, (Inches Water Column)												
			0.1		0.2		0.3		0.4		0.5		0.6	0.7	0.8
			CFM	Rise	CFM	Rise	CFM	Rise	CFM	Rise	CFM	Rise	CFM	CFM	CFM
GMH95 0904CXA	High	4	1,970	40	1,874	42	1,757	45	1,667	48	1,566	51	1,431	1,334	1,182
	Med	3.5	1,713	46	1,650	48	1,572	50	1,510	52	1,418	56	1,313	1,211	1,079
	Med-Lo	3	1,439	55	1,412	56	1,370	58	1,327	60	1,260	63	1,166	1,078	956
	Low	2.5	1,183	67	1,155	69	1,122	71	1,108	72	1,062	75	1,011	931	816
GMH95 0905DXA	High	5	2,147	37	2,114	37	2,057	39	2,030	39	1,978	40	1,889	1,784	1,713
	Med	4	1,675	47	1,686	47	1,640	48	1,623	49	1,557	51	1,501	1,455	1,360
	Med-Lo	3.5	1,489	53	1,470	54	1,436	55	1,409	56	1,361	58	1,318	1,243	1,130
	Low	3	1,307	61	1,265	63	1,234	64	1,203	66	1,168	68	1,096	1,053	991
GMH95 1155DXA	High	5	2,134	46	2,103	47	2,029	48	1,941	51	1,906	51	1,818	1,733	1,625
	Med	4	1,678	58	1,643	60	1,643	60	1,577	62	1,527	64	1,489	1,423	1,339
	Med-Lo	3.5	1,453	68	1,440	68	1,426	69	1,363	72	1,349	73	1,314	1,253	1,205
	Low	3	1,259	78	1,239	79	1,220	80	1,181	83	1,159	85	1,118	1,082	1,015

Notes:

- CFM in chart is without filter(s). Filters do not ship with this furnace, but must be provided by the installer.
- All furnaces ship as high-speed cooling and medium-speed heating. Installer must adjust blower cooling & heating speed as needed.
- For most applications, about 400 CFM per ton when cooling is desirable.
- INSTALLATION IS TO BE ADJUSTED TO OBTAIN TEMPERATURE RISE WITHIN THE RANGE SPECIFIED ON THE RATING PLATE.
- The chart is for information only. For satisfactory operation, external static pressure should not exceed value shown on the rating plate. The shaded area indicates ranges in excess of the recommended maximum heating static pressure.
- The above chart is for furnaces installed at 0-2000 feet. At higher altitudes, a properly de-rated unit will have approximately the same temperature rise at a particular CFM, while ESP at the CFM will be lower.

GMH95 BLOWER PERFORMANCE SPECIFICATIONS (CONT.)



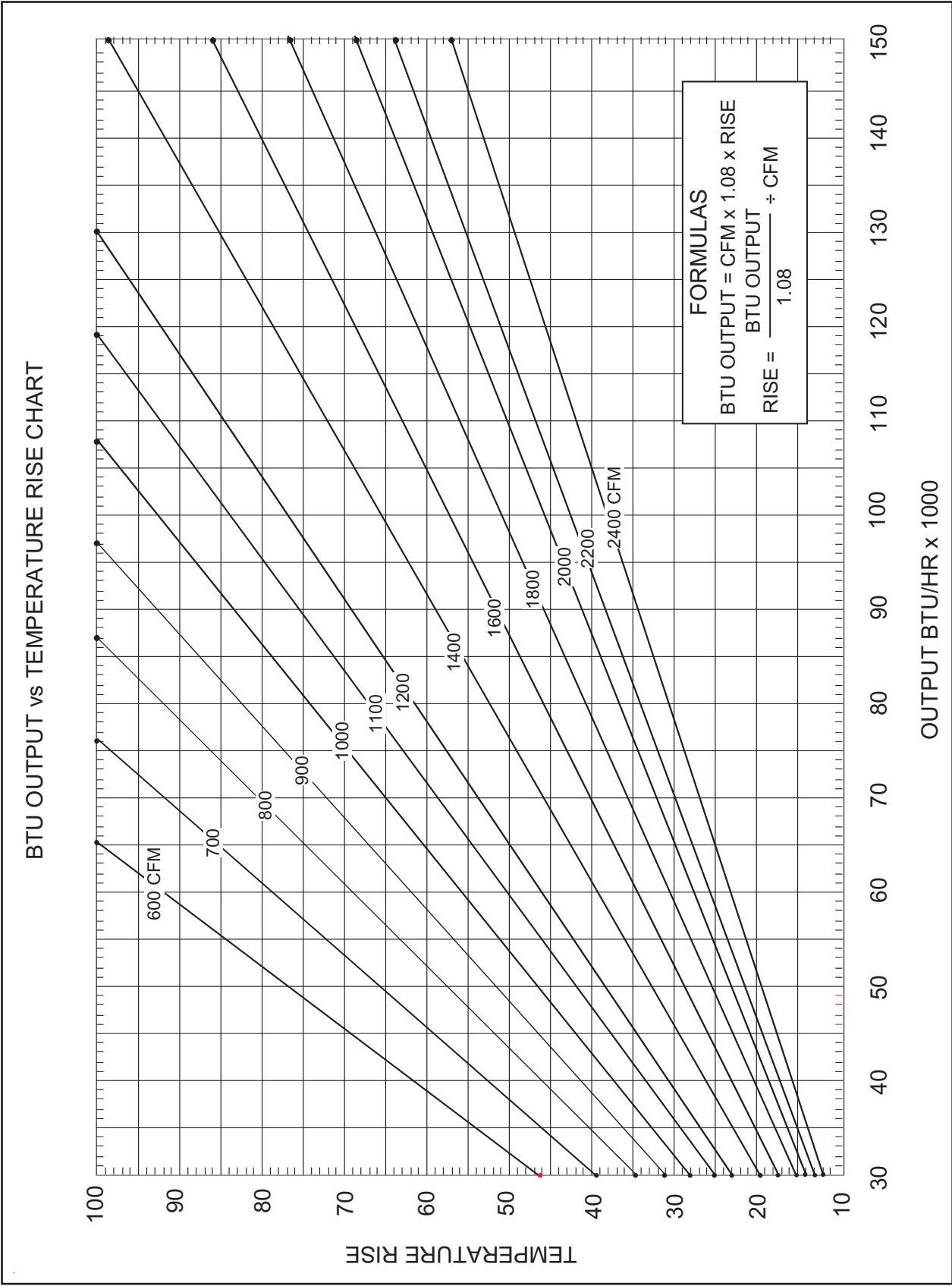
GCH9 BLOWER PERFORMANCE SPECIFICATIONS

(CFM & Temperature Rise vs. External Static Pressure)															
Model	Motor Speed	Tons AC at 0.5" ESP	External Static Pressure, (Inches Water Column)												
			0.1		0.2		0.3		0.4		0.5		0.6	0.7	0.8
			CFM	Rise	CFM	Rise	CFM	Rise	CFM	Rise	CFM	Rise	CFM	CFM	CFM
GCH9 0453BXA	High	3	1,352	29	1,318	30	1,260	31	1,202	33	1,128	35	1,044	955	853
	Med	2.5	1,214	32	1,172	34	1,123	35	1,064	37	1,012	39	938	859	741
	Med-Lo	2	997	40	994	40	960	41	923	43	884	45	817	741	611
	Low	1.5	757	52	753	52	734	54	704	56	674	59	620	524	438
GCH9 0703BXA	High	3	1,449	41	1,409	42	1,326	45	1,273	47	1,201	49	1,194	1,136	1,018
	Med	2.5	1,192	50	1,172	51	1,141	52	1,094	54	1,046	57	973	904	793
	Med-Lo	2	981	61	962	62	943	63	917	65	888	67	830	764	665
	Low	1.5	750	79	730	81	714	83	692	86	657	90	620	570	502
GCH9 0704CXA	High	4	2,069	29	1,965	30	1,871	32	1,756	34	1,661	36	1,549	1,415	1,275
	Med	3.5	1,752	34	1,724	34	1,667	36	1,603	37	1,488	40	1,402	1,290	1,082
	Med-Lo	3	1,437	41	1,437	41	1,417	42	1,369	43	1,320	45	1,256	1,140	984
	Low	2.5	1,184	50	1,177	50	1,161	51	1,132	52	1,095	54	1,047	928	837
GCH9 0904CXA	High	4	1,970	40	1,874	42	1,757	45	1,667	48	1,566	51	1,431	1,334	1,182
	Med	3.5	1,713	46	1,650	48	1,572	50	1,510	52	1,418	56	1,313	1,211	1,079
	Med-Lo	3	1,439	55	1,412	56	1,370	58	1,327	60	1,260	63	1,166	1,078	956
	Low	2.5	1,183	67	1,155	69	1,122	71	1,108	72	1,062	75	1,011	931	816
GCH9 0905DXA	High	5	2,147	37	2,114	37	2,057	39	2,030	39	1,978	40	1,889	1,784	1,713
	Med	4	1,675	47	1,686	47	1,640	48	1,623	49	1,557	51	1,501	1,455	1,360
	Med-Lo	3.5	1,489	53	1,470	54	1,436	55	1,409	56	1,361	58	1,318	1,243	1,130
	Low	3	1,307	61	1,265	63	1,234	64	1,203	66	1,168	68	1,096	1,053	991
GCH9 1155DXA	High	5	2,134	46	2,103	47	2,029	48	1,941	51	1,906	51	1,818	1,733	1,625
	Med	4	1,678	58	1,643	60	1,643	60	1,577	62	1,527	64	1,489	1,423	1,339
	Med-Lo	3.5	1,453	68	1,440	68	1,426	69	1,363	72	1,349	73	1,314	1,253	1,205
	Low	3	1,259	78	1,239	79	1,220	80	1,181	83	1,159	85	1,118	1,082	1,015

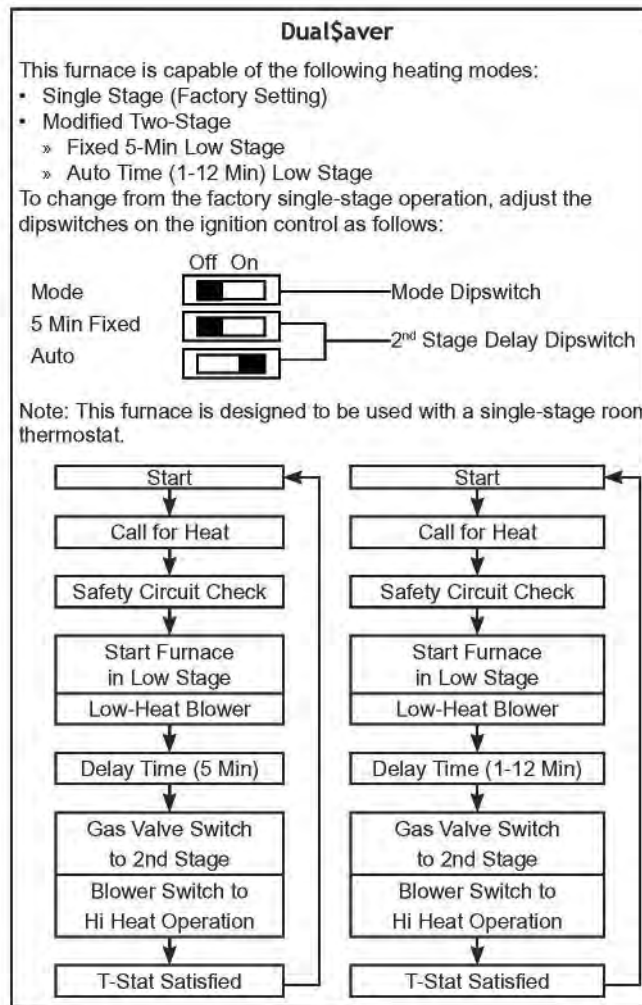
Notes:

- CFM in chart is without filter(s). Filters do not ship with this furnace, but must be provided by the installer. If the furnace requires two return filters, this chart assumes both filters are installed.
- All furnaces ship as high-speed cooling and medium-speed heating. Installer must adjust blower cooling & heating speed as needed.
- For most jobs, about 400 CFM per ton when cooling is desirable.
- INSTALLATION IS TO BE ADJUSTED TO OBTAIN TEMPERATURE RISE WITHIN THE RANGE SPECIFIED ON THE RATING PLATE.
- The chart is for information only. For satisfactory operation, external static pressure should not exceed value shown on the rating plate. The shaded area indicates ranges in excess of the recommended maximum heating static pressure.
- The above chart is for U.S. furnaces installed at 0-2000 feet. At higher altitudes, a properly de-rated unit will have approximately the same temperature rise at a particular CFM, while ESP at the CFM will be lower.

GCH9 BLOWER PERFORMANCE SPECIFICATIONS (CONT.)



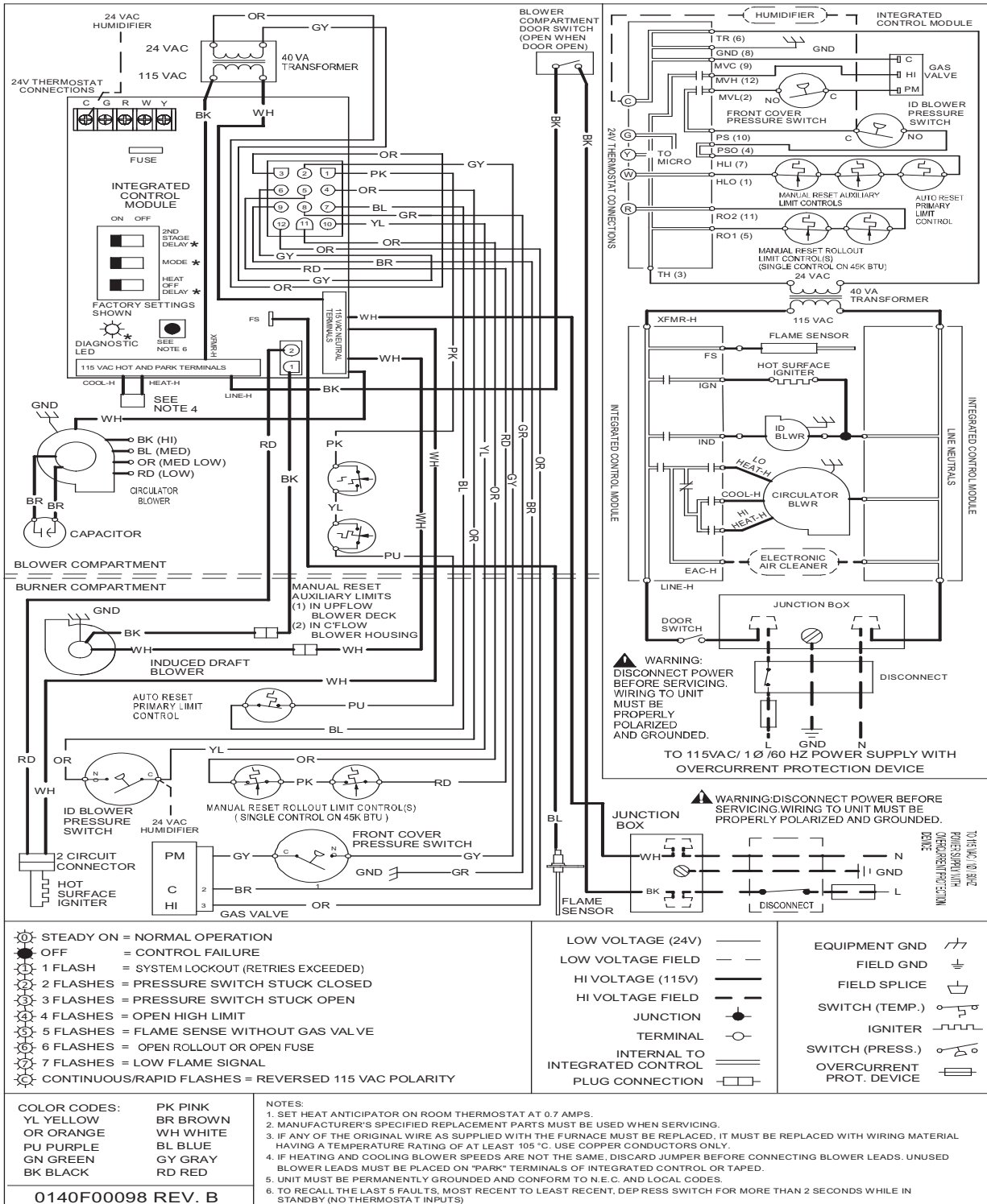
DUAL\$AVER CONFIGURATION & OPERATION



THERMOSTATS

Model	Description
CHT18-60	Cooling/Heating, Mechanical
CH70TG	Cooling/Heating, Digital, Non-programmable
CHSATG	Cooling/Heating, Mechanical
H20TWR	Heating Only, Mechanical

GCH9 WIRING DIAGRAM



Wiring is subject to change. Always refer to the wiring diagram on the unit for the most up-to-date wiring.

	<p>WARNING</p> <p>High Voltage: Disconnect all power before servicing or installing this unit. Multiple power sources may be present. Failure to do so may cause property damage, personal injury, or death.</p>	
--	--	--

GMH95 ACCESSORIES

Accessory	Description	GMH95 0453BXA	GMH95 0703BXA	GMH95	GMH95 0904CXA	GMH95	GMH95 1155DXA
LPM-03B	LP Conversion Kit (Gas Valve)	/	/	/	/	/	/
LPM-05	LP Conversion Kit (Springs & Orifice)	/	/	/	/	/	/
LPLP01	LP Gas Low Pressure Kit	/	/	/	/	/	/
GSAS	Electronic Air Cleaners (-10, -11, -12, -18)	/	/	/	/	/	/
GMU	Media Air Cleaners (1620, 2020, 1625, 2025)	/	/	/	/	/	/
HANG11	High Altitude Natural Gas Kit	1	1	1	1	1	1
HANG12	High Altitude Natural Gas Kit	2	2	2	2	2	2
HALP10	High Altitude LP Gas Kit	3	3	3	3	3	3
HAPS27	High Altitude Pressure Switch Kit	3	3	3	3	3	3
FTK03A	Twinning Kit	/	/	/	/	/	/
EFR01	External Filter Rack	/	/	/	/	/	/
DCVK-20	Horizontal/Vertical Concentric Vent Kit (2")	/	/	---	---	---	---
DCVK-30	Horizontal/Vertical Concentric Vent Kit (3")	/	/	/	/	/	/
0170K00000S	Flush-mount Vent Kit	/	/	/	/	/	/

/ Indicates accessories available for this model

1 Indicates 7,001' to 9,000' altitude

2 Indicates 9,001' to 11,000' altitude

3 Indicates 7,001' to 11,000' altitude

Note: All installations above 7,000' require a pressure switch change. For installation in Canada, furnaces are certified only to 4,500'.

GCH9 ACCESSORIES

Accessory	Description	GCH9 0453BXA	GCH9 0703BXA	GCH9 0704CXA	GCH9 0904CXA	GCH9 0905DXA	GCH9 1155DXA
LPM-03B	LP Conversion Kit (Gas Valve)	√	√	√	√	√	√
LPM-05	LP Conversion Kit (Springs & Orifice)	√	√	√	√	√	√
LPLP01	LP Gas Low Pressure Kit	√	√	√	√	√	√
GSAS	Electronic Air Cleaners (-10, -11, -12, -18)	√	√	√	√	√	√
GMU	Media Air Cleaners (1620, 2020, 1625, 2025)	√	√	√	√	√	√
HANG11	High Altitude Natural Gas Kit	1	1	1	1	1	1
HANG12	High Altitude Natural Gas Kit	2	2	2	2	2	2
HALP10	High Altitude LP Gas Kit	3	3	3	3	3	3
HAPS27	High Altitude Pressure Switch Kit	3	3	3	3	3	3
EFR01	External Filter Rack	√	√	√	√	√	√
DCVK-20	Horizontal/Vertical Concentric Vent Kit (2")	√	√	---	---	---	---
DCVK-30	Horizontal/Vertical Concentric Vent Kit (3")	√	√	√	√	√	√
	Flush-mount Vent Kit	√	√	√	√	√	√

√ Indicates accessories available for this model

- 1 Indicates 7,001' to 9,000' altitude
- 2 Indicates 9,001' to 11,000' altitude
- 3 Indicates 7,001' to 11,000' altitude

Notes

- All installations above 7,000' require a pressure switch change. For installation in Canada, furnaces are certified only to 4,500'.
- **Downflow Floor base:** When the GCH9 model is installed directly on a wood floor, a downflow floor base must be used. Those model numbers are: CFB17, CFB21 and CFB24.

