



**TRANE®**

## Catalog

---

# Packaged Terminal Air Conditioners & Heat Pumps



### **Models PTEE and PTHE**

PTEE070/PTHE070 (7,000 Btuh)

PTEE090/PTHE090 (9,000 Btuh)

PTEE120/PTHE120 (12,000 Btuh)

PTEE150/PTHE150 (15,000 Btuh)

---

May 2008

PTAC-PRC002-EN



## Introduction

---

# Packaged Terminal Air Conditioners & Heat Pumps

Trane Packaged Terminal Air Conditioners (PTACs) and heat pumps are ideally suited for offices, apartments, hotels, motels, dormitories and nursing homes. Key benefits which make the units a wise choice are:

Quieter equipment than ever with Sound Transmission Criteria STC of 27 and NC of 38.

- Exclusive patent pending De-Humidification Control provides up to 30% more moisture removal.
- Flexible digital Interface provides wall or unit mounted control adjustment. Wall mounted Interface uses 2 unpolarized wires for connection.
- Plug and Play display means on demand commissioning algorithm and automatic start-up delay.
- The Universal Heater as a standard option means "Everything is stocked and ready to ship."
- Defrost Control – All heat pump models are equipped with heat pump control algorithm that prevents freezing of the condenser, while optimizing comfort.





# Contents

---

Packaged Terminal Air Conditioners & Heat Pumps .....	2
Model Number Description .....	4
Application Considerations .....	7
Features and Benefits .....	8
Accessories .....	11
Performance Data .....	13
Electric Power .....	19
Dimensions .....	21
Mechanical Specifications .....	24
Warranty .....	26



# Model Number Description

Each Packaged Terminal Air Conditioner/Heat Pump is assigned a multiple-character alphanumeric model number that precisely identifies each unit.

The model number helps owner/operator, installing contractors, and service technicians to define the operation, components and options for a specific unit.

Refer to the model number printed on the equipment nameplate when ordering replacement parts or requesting service.

An explanation of the identification code that appears on the unit nameplate is shown below.

**P T E E O 9 0 1 U A B**  
**1 2 3 4 5 6 7 8 9 10 11**

Digits 1, 2 – Packaged Terminal Air Conditioner

Digit 3 – Product Type

E = Air Conditioner with auxiliary heat

H = Heat Pump

Digit 4 – Development Sequence

E = Fifth Development series

Digit 5, 6, 7 – Unit Cooling Capacity

070 = 7,000 Btu

090 = 9,000 Btu

120 = 12,000 Btu

150 = 15,000 Btu

Digit 8 – Main Power Supply

1 = 230-208V/60Hz/1phase

2 = 265V/60Hz/1phase

4 = 115V/60Hz/1phase (Hydronic Only)

Digit 9 – Electric Heat Capacity\*

U = Universal heater (heater kW determined by power cord, see Accessories section)

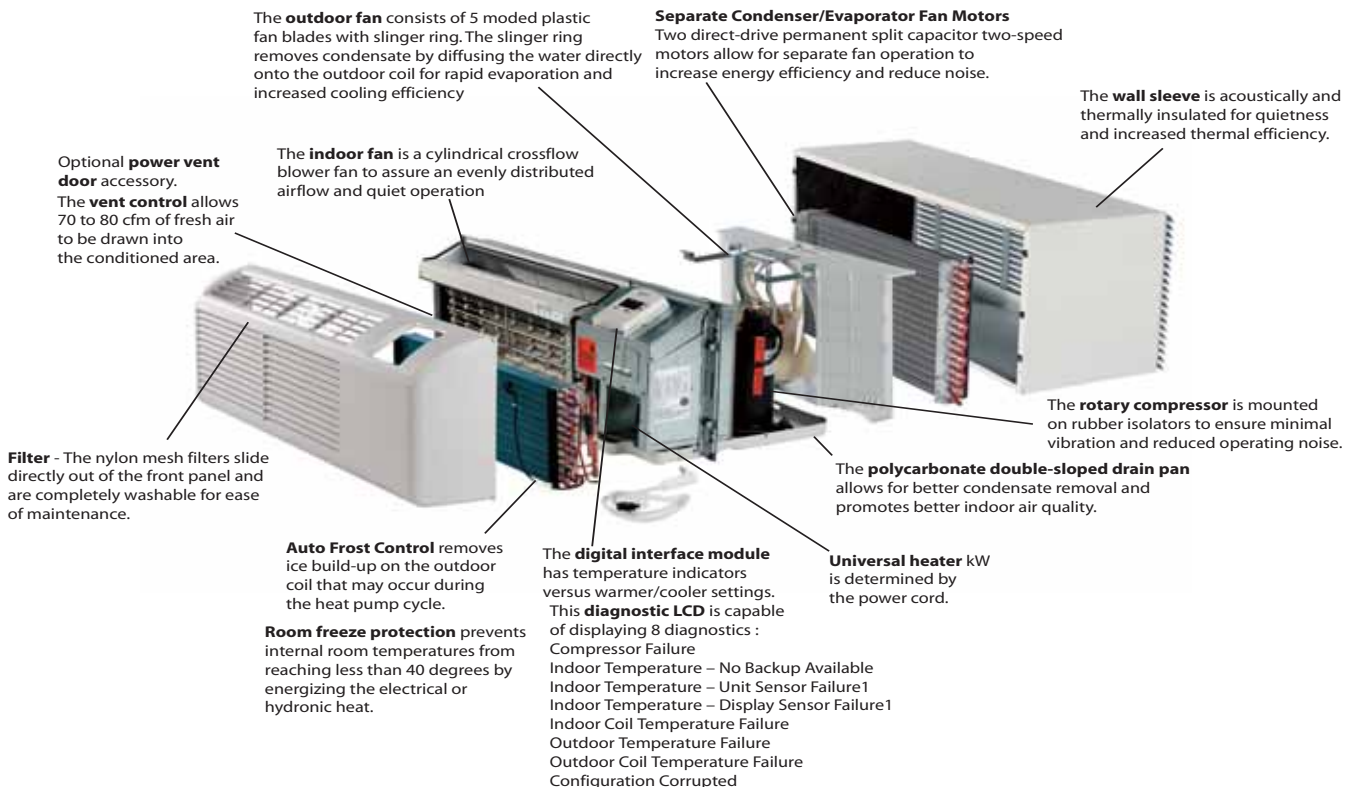
W = Hydronic (ships with no front cover & no electric heater)

Digit 10 – Miscellaneous

A = Standard

C = Corrosion Resistant

Digit 11 – Minor Design Sequence





## Model Number Description

---

**Table 1. Hydronic kit options**

Kit Description

H = Hydronic

Coil Type

W = Water Coil

S = Steam Coil

Accessory Type

K = Kit

Power Voltage

01 = 208-230 VAC

02 = 265 VAC

04 = 115 VAC

Coil Positioning

L = Left hand hot water coil connection (Standard/ Stocked)

R = Right hand hot water coil connection (Not Stocked)

Kick Plate

S = Standard 2" to 6" adjustable kick plate

E = Extended standard base kick plate 7" to 13"

M = Upgraded kick plate standard height 2" to 6" (Like the unit ventilator design)

U = Upgraded kick plate extended height 7" to 13" (Like the unit ventilator design)

Color

S = Standard Soft Dove II

C = Special Color



**Figure 1. Hydronic heat option**



## Model Number Description

Table 2. Accessories

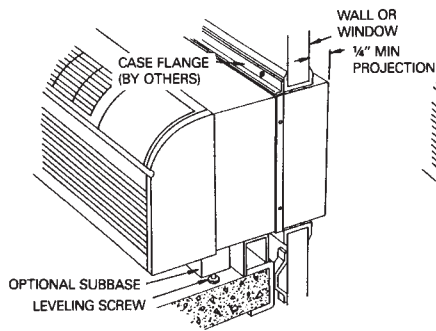
Description	Part Number
<b>Architectural Grilles</b>	
ARCHITECTURAL ALUMINUM GRILLE	BAYAAGL001
ARCHITECTURAL ALUMINUM GRILLE -DARK BRONZE	BAYAAGL002
ARCHITECTURAL ALUMINUM GRILLE - SOFT DOVE	BAYAAGL003
ARCHITECTURAL ALUMINUM GRILLE - SPECIAL COLOR	BAYAAGL004
<b>Circuit breakers</b>	
CIRCUIT BREAKER - 208/230 15AMP	BAYCBKR001
CIRCUIT BREAKER 208/230 20AMP	BAYCBKR002
CIRCUIT BREAKER - 208/230 30AMP	BAYCBKR003
<b>Drain Kit</b>	
DRAIN KIT	BAYDRAN001
<b>Filters</b>	
SPARE FILTERS 10 PACK	BAYFLTR009
<b>Hard Wire Kit</b>	
HARD WIRE KIT	BAYHWRK001
<b>Leveling Legs</b>	
LEVELING LEG	BAYLVLG001
<b>Power Switch<sup>i</sup></b>	
POWER SWITCH -115V, 208/230V 265V 30 AMP	BAYPSW002
<b>Stamped grille</b>	
STAMPED ALUMINUM GRILLE - SINGLE PACK	BAYSAG001
STAMPED ALUMINUM GRILLE - TEN PACK	BAYSAG002
<b>Wall Sleeve</b>	
13 INCH WALL SLEEVE	BAYWSLV001
18 INCH WALL SLEEVE	BAYWSLV002
24 INCH WALL SLEEVE	BAYWSLV003
<b>Power Cord</b>	
UNIVERSAL POWER CORD 115 VOLT- 15 AMP	BAYPCRD007
UNIVERSAL POWER CORD 230 VOLT - 15 AMP	BAYPCRD001 or BAYPCRD008
UNIVERSAL POWER CORD 230 VOLT - 20 AMP	BAYPCRD002 or BAYPCRD009
UNIVERSAL POWER CORD 230 VOLT - 30 AMP	BAYPCRD003
UNIVERSAL POWER CORD 265 VOLT - 15 AMP	BAYPCRD004
UNIVERSAL POWER CORD 265 VOLT - 20 AMP	BAYPCRD005
UNIVERSAL POWER CORD 265 VOLT - 30 AMP	BAYPCRD006
<b>Display Module</b>	
DISPLAY MODULE (TRANE LOGO STANDARD)	BAYTRDM001
DISPLAY MODULE (TRANE LOGO & DEHUMIDIFICATION)	BAYTRDM002
<b>Escutcheon Cover<sup>ii</sup></b>	
ESCUTCHEON COVER FOR FRONT PANEL (TRANE LOGO)	BAYTCVR001
<b>Plastic Front Cover<sup>iii</sup></b>	
PLASTIC FRONT COVER FOR PTAC	BAYPCVR001
<b>Connector for Hardwire<sup>iv</sup></b>	
CONNECTOR FOR HARDWIRE KIT 208/230V - 15 AMP	BAYCNHK011
CONNECTOR FOR HARDWIRE KIT 208/230V - 20 AMP	BAYCNHK012
CONNECTOR FOR HARDWIRE KIT 208/230V - 30 AMP	BAYCNHK013

Table 2. Accessories

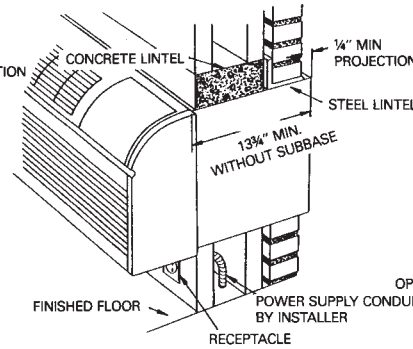
Description	Part Number
CONNECTOR FOR HARDWIRE KIT 265V - 15 AMP	BAYCNHK021
CONNECTOR FOR HARDWIRE KIT 265V - 20 AMP	BAYCNHK022
CONNECTOR FOR HARDWIRE KIT 265V - 30 AMP	BAYCNHK023
CONNECTOR FOR HARDWIRE KIT 115V - 15 AMP	BAYCNHK031
<b>Subbase<sup>v vi</sup></b>	
UNIVERSAL SUBBASE	BAYSUB001
SOCKET FOR SUBBASE 208/230 20 AMP	BAYSCKT001
SOCKET FOR SUBBASE 208/230 30 AMP	BAYSCKT002
SOCKET FOR SUBBASE 265 20 AMP	BAYSCKT003
SOCKET FOR SUBBASE 265 30AMP	BAYSCKT004

- i) The power switch can be installed on the hard wire junction box and provides a way to shut on and off the PTAC unit. It is an optional accessory when using the power cord to power the PTAC unit. Check local codes for approval
- ii) This escutcheon cover should be ordered whenever the display module is wall mounted or a thermostat or third party provider unit controls are ordered. This escutcheon includes a control cover plate that covers the normal unit mounted nomenclature. It comes 5 pieces per pack.
- iii) All hydronic PTAC chassis come standard without a plastic front cover. If a unit is required to work without heat and without a hydronic kit the plastic front cover should be ordered.
- iv) Required when using a Hard Wire Kit.
- v) Provides a space to tie into a building's wiring with a receptacle to plug the unit into. It gives additional leveling and support capabilities and provides a place for fuses, a circuit breaker or a mechanical disconnect to be mounted. (30A is for units with 5kW electric heat, 20A for 3kW or less electric heat.)
- vi) All subbases require a socket. For 15 and 20 amp, the 20amp socket can be used on either the 208/230V or the 265V.

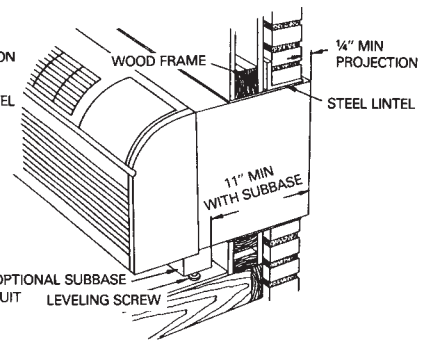
# Application Considerations



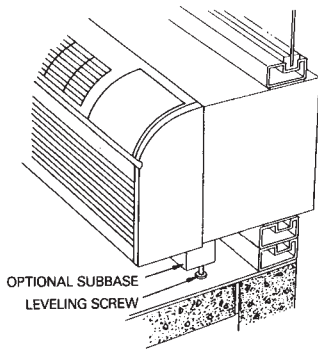
Curtain wall installation



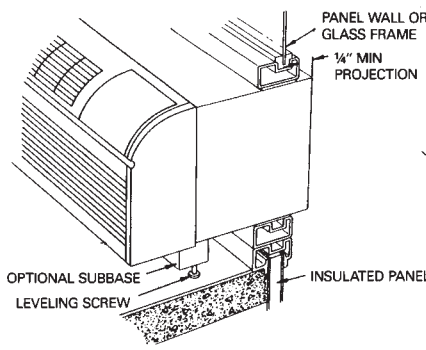
Block and brick veneer installation



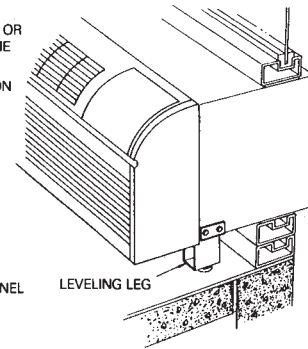
Frame and brick veneer installation



Panel wall installation

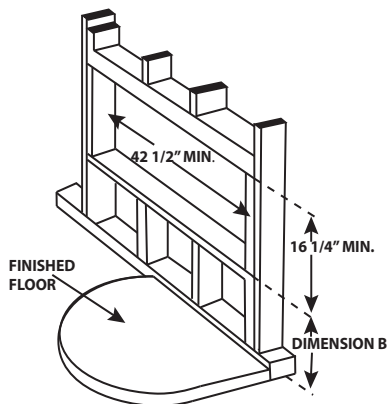


Panel and block veneer installation

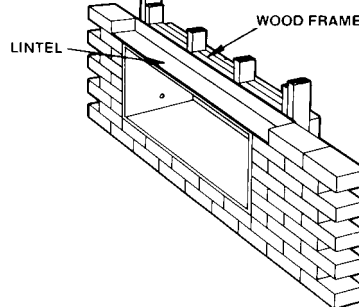


Optional leveling leg

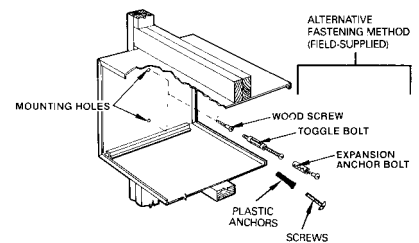
NOTE: On applications not requiring subbase or leveling legs, unit may be flush mounted to floor.



Framing for wall case



Framing with lintel



Attaching wall sleeve to opening



## Features and Benefits

### Quiet Operation

Patent-pending, state-of-the-art design and construction provide a quiet environment for guests to relax. The Trane PTAC offers

- Noise Criteria of NC 38 or below
- Sound Transmission Criteria STC of 27

### Energy Efficiency

Trane PTAC units and heat pumps are among the most efficient in the industry, with EERs up to 12.5 and COPs up to 3.6. The efficient design of the two direct-drive motors allow for separate indoor and outdoor fan operation to increase energy efficiency and reduce noise levels.

Packaged terminal heat pumps are an ideal choice for heating requirements in light to moderate wintry climates. Heat pumps provide a more efficient option over electric heat units by drawing 25 - 75% less wattage. Less wattage per hour directly translates to energy savings.

During heating operation, refrigerant in the heat pump runs in the reverse direction of the cooling operations. The outside air is cooled, thereby giving up heat to the refrigerant in the heat pump. This heat is then pumped back inside, resulting in up to three Btu's of heat for every Btu of energy consumed.

During cooling operation, heat and humidity are removed from the building as the air is cooled. This heat proceeds through the compression cycle and is ultimately rejected to the outside air.

Energy-saving options available with PTAC units include:

### Energy Management

#### Occupancy States

The controller is designed to handle two possible occupancy states:

- occupied
- occupied standby

When the Energy Management System input is present, it is possible for the controller to switch between the two occupancy states.

If the EMS input is not connected, the controller will always assume the occupied state

#### Occupied state

When the controller is in the occupied state, the unit runs space comfort control using the occupied setpoints. All heating/cooling/ventilation features are enabled.

#### Occupied Standby state

When the controller is in occupied standby state, the unit runs space comfort control using the occupied standby setpoints. All heating/cooling/ventilation features are enabled. Because the occupied standby setpoints cover a wider range than the occupied setpoints the demand for heating and cooling the space is reduced.

#### Temperature Setpoint Limiting

The indoor temperature setpoint buttons tell the unit how warm or cool the occupant wants the room.

The setpoint is set by pressing the up/down buttons on the interface module. These buttons do not scroll (i.e. holding the button will not continue to adjust the setpoint value) because each adjustment of the setpoint value requires its own unique button press.

Default setpoint on first power up: 72°F (22.0°C – closest approximation)

Setpoint resolution:  $\pm 1^\circ\text{F}$  ( $\pm 0.5^\circ\text{C}$ )

### User Mode Selection

Pressing either the snowflake or the red sun button on the unit tells the unit which mode the occupant prefers. There are four modes to choose from.

COOL

HEAT

FAN (fan only)

OFF

### Fan Speed Selection

Pressing the FAN button on the interface module determines fan speed. There are two fan speeds to choose from.

LOW

HIGH

### Programmable Settings

The controller has a total of seven (7) parameters that are user-configurable:

1. Vent Door Configuration
2. Indoor Fan Cycle configuration
3. Temperature Setpoint Limiting configuration
4. Energy Management Setpoint Offset configuration
5. Display Units configuration
6. Indoor Temperature Calibration
7. Dehumidification Offset



## Features and Benefits

The interface module texts "SETTING" and "STEP" provide user feedback when the unit is in the configuration mode. The number directly above the word "STEP" indicates the configuration step that is being adjusted. The numbers above the word "SETTING" (XX.x) indicate the value of the parameter.

In order for the user to access the configurable parameters, a digital display module must be present.

The configuration set-up mode is entered by pressing and holding the "MODE" and "FAN" buttons simultaneously for 5 seconds.

### Reliability

These features help assure reliable operation:

#### Room Freeze Protection

When the unit senses room temperatures of 40°F or below, the unit activates the indoor fan motor and either the electric resistance heater or the hydronic heater to help prevent pipes or fixtures from freezing. This also overrides the Energy Management System input.

#### Automatic Switch To Electric Heat (PTHE only)

If the room temperature falls to 2.5°F below the setpoint temperature or the unit compressor fails, the reverse cycle heat is shut off and the electric heat is turned on.

#### Active Defrost (PTHEs only)

The Trane PTAC has an active defrosting system that will remove any ice build-up on the outdoor coil that may occur during the heat pump cycle.

### Random Restart

This function allows for the random restart of the PTAC units in the event of a power outage. The restart delay reduces the initial inrush current from the building to help prevent a second power outage caused by too much current draw.

The random restart function will occur after every power up cycle by delaying the operation of the unit for up to 90 seconds. Compressor minimum off-time is enforced after the random restart function has completed.

### Compressor Restart Delay

After the compressor cycles off, it will not restart for three minutes. This feature prevents the compressor from short cycling and extends the overall life of the compressor.

### Field Commissioning support

#### Manual Test Mode

A manual test mode is provided to allow a field technician to verify proper output and end device operation through a predetermined, timed sequence.

The sequence will automatically advance through all outputs and exit when the sequence has completed; it is left to the technician to monitor the status of the end devices during the test to verify that each operates properly.

### Comfort

Dehumidification and air filtration are both factors affecting comfort.

When the air is dehumidified, occupants feel more comfortable at higher temperatures, and furniture, wall coverings, and fixtures last longer.

Trane PTAC's patent-pending dehumidification helps maintain lower humidity levels in rooms, by as much as 30 percent without the need for expensive add-on's.

The PTAC provides dehumidification by combining the following actions in a predefined sequence.

1. The PTAC subcools the room to a preset state, a dehumidification offset below the cooling setpoint.
2. The unit will automatically adjust the fan speed.
3. When incorporating the power vent door option, the controller will automatically adjust its position.

The hidden ventilation air intake filters outside air to reduce dust and pollen. When ventilation air is filtered, rooms stay cleaner, longer.

### Attractive Digital Interface Module

Our extra-large, easy-to-read interface display exceeds others in the industry and allows guests to effortlessly manage their temperature needs.



### Ease of Installation and Servicing

After the sleeve is in place, plug in or directly hard-wire the unit and it is ready to run. This PTAC has been designed to replace all industry standard wall sleeves.

With measurement of (13 $\frac{3}{4}$ " D x 42" W x 16-1/16" H), Trane's PTAC makes replacement of old or inefficient units easy and economical. This unit may also be installed flush with the outside wall.

Trane's PTAC components are easily serviced and easy to diagnose or troubleshoot to spot potential problems.



## Features and Benefits

### Universal Heater

The PTAC Universal Heater option is standard, and its universally sized equipment makes it available for quick delivery.

The heater's size (kW) is determined by the type of power cord chosen for the unit. For more information see the Electric Heat Capacity table in the Performance Data section.

### Room Cabinet/Front Panel

The room cabinet/front panel has a sloped discharge so that obstructions are not placed on the unit. The discharge conditioned air can be directed into the room at an angle of 15 or 40 degrees from the vertical position.

### Filter

The filter is made of permanent, cleanable nylon mesh and is accessible without removing the front cover.



### Condenser/Evaporator Fans

Each fan has a direct drive, two-speed motor with permanent split capacitors to provide quieter operation and increased energy efficiency.

### Cooling Condensate Removal

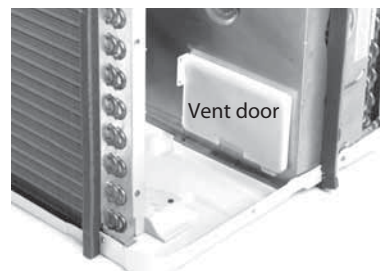
The unit has a condensate removal system for high humidity conditions. The system includes a slinger ring which diffuses water directly on to the outdoor condenser coil for rapid evaporation and increased cooling efficiency.

### Compressor

The rotary compressor is permanently mounted on rubber isolators. It's not necessary to remove or adjust the hold down bolts during installation.

### Outside Air Damper/Vent Control

The vent control allows 70 CFM (7000 and 9000 BTU models) or 80 CFM (12,000 and 15,000 BTU models) of fresh air to be drawn into the room when the indoor fan is operating



### Filtered Outdoor Air Intake

The outdoor air intake includes a polypropylene filter that reduces the amount of dust coming into the room.

### Corrosion-Resistant Chassis (Optional)

The condenser coil is painted using cathodic electrocoat. The bottom 1/3 of the compressor is coated with a water borne resin. The outdoor side of interior parts are top coated, and the base pan is cathodic electrocoated.

### Unit Controls

The Digital Interface Module can be wall- or unit-mounted. The wall-mounted interface uses a 2-wire connection and is not polarized, making it nearly impossible to misconnect.

### Temperature Setpoint Buttons

The indoor temperature setpoint buttons tell the unit how warm or cool the occupant wants the room.

The setpoint is set by pressing the up/down buttons on the interface module.

### Drain Pan

The polycarbonate, double-sloped drain pan insures proper condensate removal and promotes better indoor air quality.

### Cleanable Discharge Deck

Designed with service in mind, the discharge deck is easily accessible for cleaning purposes.



## Accessories

### Wall Sleeves

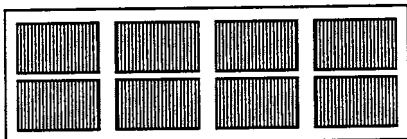
The wall sleeve is insulated on the top and sides and will fit all Trane PTAC units. Wall sleeves are an industry standard size of 13<sup>3</sup>/<sub>4</sub>" D x 42" W x 16-1/16" H.

In order to allow for early installation during construction, wall sleeves are available to ship separately.

### Extended Wall Sleeves

Extended wall sleeves are industry standard size of 18" D x 42" W x 16-1/16" H or 24" D x 42" W x 16-1/16" H.

### Outdoor Grilles



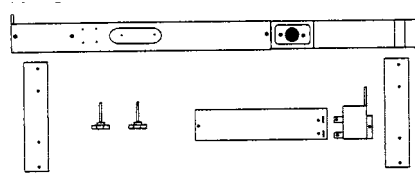
Outdoor grilles option include: a stamped aluminum grille with vertical louvers, an anodized aluminum horizontal louver architectural grille, and a horizontal louver architectural grille painted in a soft dove, dark bronze or a special color.

Grilles can be provided in any special color. A third party company will closely match your color of choice.

### Leveling Legs Kit

Leveling legs attach easily to the wall sleeve for support and accurate unit leveling on units without subbases. Adjustable from 2 <sup>5</sup>/<sub>8</sub>" to 5 <sup>1</sup>/<sub>4</sub>".

### Subbases



The subbase kit includes two leveling legs for sleeve support and accurate unit leveling during installation.

The subbase provides an enclosure for an electrical receptacle, power disconnect switch, and circuit breaker. Electrical connections to the building power supply wires are made inside the subbase behind the wiring access cover on the left side.

The subbase also provides structural support for the wall sleeve and the weight of the PTAC. It may be installed either before or after wall sleeve installation.

### Power Switch

An optional 230/208V or 265V power switch assembly kit can be installed in a full length subbase or in the junction box of the Hard Wire Junction Box kit. The switch provides a POWER ON/OFF function as required by some electrical codes. A replacement junction box cover plate is provided with each switch.

### Circuit Breaker Kit

The Circuit Breaker Kit is available in 15, 20 and 30 amp for 230/208-volt units. Check local codes for use of the circuit breaker, both for circuit protection and as a means of disconnect.

### Hard-Wire Junction Box and Connector Kits



The Trane PTAC can be powered a hard wire kit.

The hard wire kit includes: a junction box to provide a protected enclosure for building supply electrical connections, approximately 2-1/2 feet of 1/2-inch flexible steel conduit, and a metal box that secures to the PTAC at the control panel.

The hard wire accessory kit connects the PTAC directly to the building power supply wires, and the junction box is intended to be mounted to the wall or floor near the PTAC.

A Trane 230/208V or 265V power switch accessory can be used in the junction box. Power switch accessories are sold separately.

### Hydronic Heat Kit



The hydronic heat kit is a field-installed package that attaches to air conditioners to create central system hot water or steam heat capable units.

The PTAC hydronic heat kit provides complete coverage of all PTAC plumbing and coils while still allowing access to controls. The hydronic kit top panel is removable without having to remove the hydronic plumbing. The kit also allows for either left- or right-hand installation.

The hydronic heat electrical connections are "plug-in" to assist in kit installation. Where a central boiler is available, the hydronic kit can be installed on the PTAC unit.

### Thermostats

The following thermostats are available for remote temperature control of the PTAC.

#### Digital Interface Module



This display module can be used for wall mounted or unit mounted application.

#### Remote Class 2 Thermostat.

The controller's normal operation may be directly controlled by a third-party, Class 2, remote thermostat.

If a remote thermostat is connected, the unit's display will not be present and the controller's normal space temperature control functionality is overridden by the third party remote thermostat.

### Power Cord

A 115 Volt Electrical Supply power cord is provided with the unit - factory installed.

The 230/208V and 265V units require a power cord accessory kit based on the electrical size (kW). See [Table 14, "Unit power supply,"](#) on page 20.

#### 230/208 Volt Electrical Supply

The power cord accessory installed on 230/208 volt model PTAC units can be plugged into a receptacle mounted in the wall, floor, or subbase.

#### 265 Volt Electrical Supply

The 265 volt model PTAC unit must be permanently connected to the building power.

A power cord accessory installed on a 265 volt model PTAC unit can be plugged into a receptacle mounted in the subbase (sold separately).

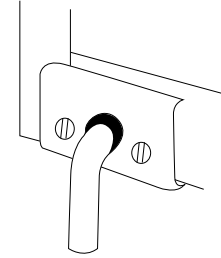
Subbase accessories provide an enclosure for permanent connection.

### Escutcheon Cover for the Front Panel



If the Digital Interface Module is wall mounted or when using a third party thermostat, a cover for the PTAC panel is required and can be ordered from the accessories list.

### Condensate Drain Kit



This kit attaches to the wall sleeve base pan for controlled internal or external disposal of condensate and defrost water.



# Performance Data

**Table 3. Cooling performance — air conditioner with electric heat models**

Model No.	PTEE 07			PTEE 09			PTEE 12			PTEE 15		
	208	230	265	208	230	265	208	230	265	208	230	265
Voltage <sup>i</sup> <sup>ii</sup>	208	230	265	208	230	265	208	230	265	208	230	265
Cooling Capacity (Btu/h) <sup>iii</sup>	6,800	7,000	7,300	8,800	9,000	8,700	11,600	11,800	11,800	13,700	13,900	14,400
Cooling Amps (A) <sup>iv</sup>	2.9	2.7	2.4	3.9	3.6	3.1	5.1	4.8	4.1	6.9	6.4	5.7
EER (Btu/h/WattHrs)	12.0	12.0	12.0	11.4	11.4	11.3	11.2	11.2	11.3	10.0	10.0	9.8
Indoor CFM												
High	260	290	290	260	290	290	320	350	350	365	400	400
Low	266	235	266	235	266	266	293	323	323	330	360	360
Ventilated Air, cfm (fan only)	70	70	70	70	70	70	80	80	80	80	80	80
Dehumidification (Pints/Hr.)	2.1	2.1	2.1	2.6	2.5	2.6	3.1	3.1	3.1	4.1	4.1	4.1
Net Weight (approximate lbs.)	91	91	92	92	92	92	98	98	99	106	106	107
Shipping Weight (approximated lbs.)	102	102	103	103	103	103	109	109	110	117	117	118

- i) All 265 volt models must use Trane's subbase or Trane's hard-wire junction box kit.
- ii) Minimum branch circuit ampacity ratings conform to the National Electric Code. However, local codes should apply.
- iii) Certified in accordance with the Unitary Air-Conditioner Equipment certification program, which is based on ARI standard 310/380.
- EER — Energy Efficiency Ratio per American Refrigeration Institute (ARI) Test Procedures.
- COP — Coefficient of Performance per ARI Test Procedures.
- ESP — External Static Pressure
- iv) Overcurrent protection on 265 volt models must be cartridge-style time delay fuses.

**Table 4. Cooling performance — air conditioner (cooling only — hydronic models)**

Model No.	PTEE 07				PTEE 09				PTEE 12				PTEE 15		
	115	208	230	265	115	208	230	265	115	208	230	265	208	230	265
Voltage <sup>i</sup> <sup>ii</sup>	115	208	230	265	115	208	230	265	115	208	230	265	208	230	265
Cooling Capacity (Btu/h) <sup>iii</sup>	7,200	6,800	7,000	7,300	8,800	9,000	9,200	9,200	12,000	11,600	11,800	11,800	13,700	13,900	14,400
Cooling Amps (A) <sup>iv</sup>	5.6	2.9	2.7	2.4	7.5	3.9	3.6	3.1	9.9	5.1	4.8	4.1	6.9	6.4	5.7
EER (Btu/h/WattHrs)	11.5	12.0	12.0	12.0	10.9	11.0	11.0	11.2	10.7	10.8	10.8	11.0	10.0	10.0	9.8
Indoor CFM															
High	350	290	260	290	365	335	365	365	400	365	400	400	365	400	400
Low	323	266	235	266	338	308	338	338	360	330	360	360	330	360	360
Ventilated Air, cfm (fan only)	70	70	70	70	70	70	70	70	80	80	80	80	80	80	80
Dehumidification (Pints/Hr.)	1.8	2.1	2.1	2.1	2.2	2.5	2.6	2.6	3.0	3.1	3.1	3.1	4.1	4.1	4.1
Net Weight (approximate lbs.)	83	83	83	84	84	84	84	84	90	90	90	91	98	98	99
Shipping Weight (approximated lbs.)	94	94	94	95	95	95	95	95	101	101	101	102	109	109	110

- i) All 265 volt models must use Trane's subbase or Trane's hard-wire junction box kit.
- ii) Minimum branch circuit ampacity ratings conform to the National Electric Code. However, local codes should apply.
- iii) Certified in accordance with the Unitary Air-Conditioner Equipment certification program, which is based on ARI standard 310/380.
- EER — Energy Efficiency Ratio per American Refrigeration Institute (ARI) Test Procedures.
- COP — Coefficient of Performance per ARI Test Procedures.
- ESP — External Static Pressure
- iv) Overcurrent protection on 265 volt models must be cartridge-style time delay fuses.



## Performance Data

**Table 5. Cooling performance — heat pump with electric heat models**

Model No.	PTHE 07			PTHE 09			PTHE 12			PTHE 15		
Voltage <sup>i</sup> <sup>ii</sup>	208	230	265	208	230	265	208	230	265	208	230	265
Cooling Capacity (Btu/h) <sup>iii</sup>	7,400	7,200	7,200	9,100	8,900	8,700	12,000	11,700	11,700	13,600	13,300	13,600
Cooling Amps (A) <sup>iv</sup>	2.9	2.7	2.3	3.9	3.7	3.1	5.1	4.8	4.2	6.8	6.3	5.5
EER (Btu/h/WattIHrs)	12.0	12.0	12.0	11.4	11.4	10.8	11.2	11.2	11.0	9.9	9.9	9.9
Indoor CFM												
High	260	290	290	260	290	290	320	350	350	365	400	400
Low	235	266	266	235	266	266	293	323	323	330	360	360
Ventilated Air, cfm (fan only)	70	70	70	70	70	70	80	80	80	80	80	80
Dehumidification (Pints/Hr.)	2.1	2.1	2.1	2.6	2.5	2.6	3.1	3.0	3.1	4.1	4.1	4.1
Net Weight (approximate lbs.)	91	91	92	98	98	99	99	99	99	107	107	107
Shipping Weight (approximated lbs.)	102	102	103	102	109	110	110	110	110	118	118	118

<sup>i)</sup> All 265 volt models must use Trane's subbase or Trane's hard-wire junction box kit.

<sup>ii)</sup> Minimum branch circuit ampacity ratings conform to the National Electric Code. However, local codes should apply.

<sup>iii)</sup> Certified in accordance with the Unitary Air-Conditioner Equipment certification program, which is based on ARI standard 310/380.

EER — Energy Efficiency Ratio per American Refrigeration Institute (ARI) Test Procedures.

COP — Coefficient of Performance per ARI Test Procedures.

ESP — External Static Pressure

<sup>iv)</sup> Overcurrent protection on 265 volt models must be cartridge-style time delay fuses (included and factory installed on Trane chassis). Note: All heat pump units must have electric coils.



## Performance Data

**Table 6. Heating performance — heat pump with electric heat models**

Model No.	PTHE07			PTHE09			PTHE12			PTHE15		
Voltage <sup>i</sup>	208	230	265	208	230	265	208	230	265	208	230	265
Heating capacity (Btu/H) <sup>ii</sup>	5,900	6,100	6,100	7,600	7,800	7,300	9,900	10,100	10,100	12,200	12,500	12,500
Heating amps												
2.0KW	7.9	8.9	7.7	7.9	8.9	7.7	7.9	8.9	7.7	7.9	8.9	7.7
3.0KW	11.8	13.4	11.6	11.8	13.4	11.6	11.8	13.4	11.6	11.8	13.4	11.6
5.0KW	*	*	*	19.7	22.2	19.3	19.7	22.2	19.3	19.7	22.2	19.3
COP (W/W)	3.2	3.2	3.2	3.2	3.2	3.0	3.1	3.1	3.2	2.9	2.9	2.9
Indoor CFM (												
High	290	260	290	290	260	290	350	320	350	400	365	400
Low	266	235	266	266	235	266	323	293	323	360	330	360

- i) All 265 volt models must use Trane's subbase or Trane's hard-wire junction box kit.  
ii) Heating capacity and efficiency are based on unit operation without condensate pump.

**Table 7. Temperature across indoor coils —air conditioner**

Room Air	Room Air	PTEE0701	PTEE0702	PTEE0901	PTEE0902	PTEE1201	PTEE1202	PTEE1501	PTEE1502
Dry Bulb	Wet Bulb	Temperature Across Indoor Coil ( $\Delta T$ )		Temperature Across Indoor Coil ( $\Delta T$ )		Temperature Across Indoor Coil ( $\Delta T$ )		Temperature Across Indoor Coil ( $\Delta T$ )	
°F	°F	Min	Max	Min	Max	Min	Max	Min	Max
90	85	1	3	2	6	1	5	1	4
	80	8	13	11	14	9	13	8	12
	75	19	22	19	22	18	22	16	20
	70	30	33	28	30	26	30	25	27
85	80	4	9	7	11	5	10	5	8
	75	14	19	15	18	13	18	12	16
	70	23	27	23	25	21	25	20	23
	65	34	36	31	33	29	33	28	30
80	75	9	14	11	14	9	13	8	12
	70	18	21	18	20	15	20	15	18
	65	26	29	24	27	23	26	21	24
	60	35	36	32	33	29	33	29	30
75	70	12	16	13	16	10	15	10	14
	65	18	22	18	21	15	20	15	19
	60	25	28	23	26	21	25	20	24
	55	31	34	28	31	26	30	26	28
70	65	12	15	12	14	9	13	9	13
	60	17	20	16	18	13	17	13	17
	55	22	24	20	22	18	21	17	21



## Performance Data

Table 8. Temperature across indoor coils — heat pump

Room Air Dry Bulb	Room Air Wet Bulb	PTHE0701 PTHE0702		PTHE0901 PTHE0902		PTHE1201 PTHE1202		PTHE1501 PTHE1502	
		Temperature Across Indoor Coil ( $\Delta T$ )		Temperature Across Indoor Coil ( $\Delta T$ )		Temperature Across Indoor Coil ( $\Delta T$ )		Temperature Across Indoor Coil ( $\Delta T$ )	
°F	°F	Min	Max	Min	Max	Min	Max	Min	Max
90	85	1	3	2	6	1	5	1	4
	80	8	13	11	15	10	13	8	12
	75	19	22	19	22	18	22	17	20
	70	30	33	29	30	26	30	25	28
85	80	4	9	7	11	5	10	5	9
	75	14	19	15	18	14	18	12	16
	70	23	27	23	25	21	25	21	23
	65	33	36	31	33	30	33	28	31
80	75	9	14	11	15	10	13	8	12
	70	18	21	18	20	16	20	16	18
	65	26	29	24	27	23	26	22	25
	60	35	36	32	33	30	33	29	31
75	70	12	16	13	16	11	15	10	14
	65	18	22	18	21	16	20	16	19
	60	24	28	23	26	21	25	21	24
	55	31	34	29	31	26	30	26	29
70	65	12	15	12	15	10	13	9	13
	60	17	20	16	18	14	17	13	17
	55	22	24	20	22	18	21	18	21



## Performance Data

**Table 9. Heating capacity — water**

Pressure Drop (psig)			7000 & 9000 Btu Units				12000 Btu Units				15000 Btu Units			
			200°F EWT		180°F EWT		200°F EWT		180°F EWT		200°F EWT		180°F EWT	
gpm	Coil 2-Way Valve		Fan Speed		Fan Speed		Fan Speed		Fan Speed		Fan Speed		Fan Speed	
			Hi	Lo	Hi	Lo	Hi	Lo	Hi	Lo	Hi	Lo	Hi	Lo
1.00	0.93	0.16	14.9	13.4	12.6	11.2	16.9	14.4	14.3	12.2	17.9	15.5	15.0	13.3
1.13	1.03	0.20	15.2	13.7	12.9	11.5	17.4	14.7	14.6	12.4	18.3	16.0	15.4	13.7
1.25	1.14	0.25	15.5	14.0	13.1	11.7	17.7	15.0	14.9	12.6	18.7	16.3	15.7	14.0
1.38	1.26	0.30	15.8	14.3	13.4	11.9	18.1	15.2	15.2	12.9	19.0	16.7	16.0	14.3
1.50	1.40	0.36	16.0	14.5	13.6	12.1	18.4	15.5	15.5	13.1	19.4	17.0	16.3	14.6
1.63	1.55	0.43	16.2 <sup>i</sup>	14.7	13.8	12.3	18.7	15.7	15.7	13.2	19.7	17.3	16.6	14.8
1.75	1.71	0.49	16.4	14.9	13.9	12.5	19.0	15.8	16.0	13.4	19.9	17.5	16.8	15.0
1.88	1.89	0.57	16.6	15.1	14.1	12.6	19.2	16.0	16.2	13.5	20.2	17.7	17.0	15.2
2.00	2.10	0.64	16.8	15.2	14.2	12.7	*19.3	16.1	16.2	13.6	20.4	17.8	17.2	15.3
2.13	2.32	0.73	16.9	15.3	14.3	12.8	19.6	16.3	16.5	13.7	*20.4	18.0	17.2	15.4
2.25	2.57	0.81	17.0	15.4	14.4	12.9	19.7	16.3	16.6	13.8	20.7	18.0	17.5	15.5
2.38	2.84	0.91	17.1	15.4	14.5	12.9	19.8	16.4	16.7	13.9	20.9	18.1	17.6	15.5
2.50	3.14	1.00	17.2	15.5	14.5	12.9	19.9	16.5	16.8	13.9	21.0	18.1	17.7	15.5
2.63	3.48	1.11	17.2	15.5	14.6	12.9	20.0	16.5	16.8	13.9	21.0	18.1	17.7	15.5
2.75	3.85	1.21	17.2	15.5	14.6	13.0	20.0	16.6	16.8	14.0	21.1	18.1	17.7	15.5

<sup>i)</sup> Based on ARI Rating Conditions of 70°F Entering Air Temp., 200°F Entering Water Temp and 180°F Leaving Water Temp.  
Max. Water Temperature 200°F Max. Water Pressure - 200 psig.

**Table 10. Heating capacity — steam**

Steam	7,000 & 9,000 Btu Units		12,000 Btu Units		15,000 Btu Units	
	Fan Speed		Fan Speed		Fan Speed	
psig	High	Low	High	Low	High	Low
2 <sup>i</sup>	20,200	17,800	21,700	18,300	23,700	21,000
3	20,700	18,300	22,100	19,000	25,700	21,900
4	20,800	18,500	22,800	19,300	26,300	23,77

<sup>i)</sup> Based on ARI rating conditions of 70°F entering air temperature and 2 psig steam pressure.  
Note: Maximum steam pressure 5 psig.



## Performance Data

Table 11. Hydronic water valve pressure drop

Water GPM	2-Way Valve	3-Way Valve Bypass	3-Way Valve Service	3-Way Valve Bypass and Service
	Pressure Drop (psig)	Pressure Drop (psig)	Pressure Drop (psig)	Pressure Drop (psig)
1.00	0.16	0.11	0.04	0.06
1.13	0.20	0.14	0.05	0.08
1.25	0.25	0.17	0.06	0.10
1.38	0.30	0.21	0.08	0.12
1.50	0.36	0.25	0.09	0.14
1.63	0.43	0.30	0.11	0.17
1.75	0.49	0.34	0.12	0.19
1.88	0.57	0.39	0.14	0.22
2.00	0.64	0.44	0.16	0.25
2.13	0.73	0.50	0.18	0.28
2.25	0.81	0.56	0.20	0.32
2.38	0.91	0.63	0.23	0.35
2.50	1.00	0.69	0.25	0.39
2.63	1.11	0.77	0.28	0.43
2.75	1.21	0.84	0.30	0.47
	CV=2.5	CV=3.0	CV=5.0	CV=4.0



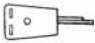
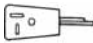
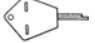
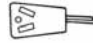






# Electric Power

**Table 12. Electric heat capacity and electrical data, models PTEE and PTHE<sup>i</sup>**

Voltage <sup>ii</sup>	Size (kW)	Btu/h	Heating watts	Heating amps	Minimum circuit ampacity <sup>iii</sup>	Circuit protection <sup>iv</sup>	Plug
230/208	2.0/1.6	6,800/ 5,600	2000/ 1600	8.9/7.9	11.4	15	6 - 15 P
230/208	3.0/2.5	10,200/ 8,400	3000/ 2500	13.4/11.8	17	20	6 - 20 P
230/208	5.0/4.1	17,100/ 14,000	5000/ 4100	22.2/19.7	28	30	6 - 30 P
265	2.0	6,800	2000	7.7	9.9	15	7 - 15 P
265	3.0	10,200	3000	11.6	14.7	20	7 - 20 P
265	5.0	17,100	5000	19.3	24.4	30	7 - 30 P

- i) All heat pumps have electric heat.
- ii) Minimum voltage on 230/208 volt models is 187 volts; maximum is 253 volts. Minimum voltage on 265 volt models is 239 volts; maximum is 292 volts.
- iii) Minimum branch circuit ampacity ratings conform to the National Electric Code. However, local codes should apply.
- iv) Overcurrent protection for all units without electric heaters is 15 amps. Overcurrent protection on 265 volt models must be cartridge-style time delay fuses.

**Table 13. Power receptacle configurations**

Unit Voltage Rating	230/ 208	230/ 208	230/ 208	265	265
Unit plug					
Plug amp rating	15	20	30	15/20	30
NEMA designation	6-15P	6-20P	6-30P	7-15P/7-20P	7-30P
Receptacle					
Receptacle amp rating	20	20	30	15/20	30
NEMA designation	6-20R	6-20R	6-30R	7-15R/7-20R	7-30R

**Table 14. Unit power supply**

Voltage	Accessory	Accessory part number
<b>115V</b>		
<b>Option 1.</b>	Power Cord	BAYPCRD007
	115V 15A Receptacle	Field Supplied
<b>Option 2.</b>	Power Cord	BAYPCRD007
	Subbase	BAYSUB001
	115V 15A Receptacle	Field Supplied
<b>Option 3.</b>	Hard Wire Kit	BAYHWRK001
	Connector for Hardwire	BAYCNHK031
<b>265 V</b>		
<b>Option 1.</b>	Subbase	BAYSUB001
	Receptacle	BAYSCKT003, BAYSCKT004
	Power Cord	BAYPCRD004, BAYPCRD005, BAYPCRD006
	Fuses	BAYFUSE001, BAYFUSE002, BAYFUSE003
	Power Switch (optional)	BAYPSW002
<b>Option 2.</b>	Hard Wire Kit	BAYHWRK001
	Connector for Hardwire	BAYCNHK021, BAYCNHK022, BAYCNHK023
	Power Switch (optional)	BAYPSW002
<b>230/ 208 V</b>		
<b>Option 1.</b>	Power Cord	BAYPCRD001 or BAYPCRD008, BAYPCRD002 or BAYPCRD009, BAYPCRD003
	Power Switch (optional)	BAYPSW002
<b>Option 2.</b>	Subbase	BAYSUB001
	Receptacle	BAYSCKT001, BAYSCKT002
	Power Cord	BAYPCRD001 or BAYPCRD008, BAYPCRD002 or BAYPCRD009, BAYPCRD003
	Circuit Breaker (Optional)	BAYCBKR001, BAYCBKR002, BAYCBKR003
	Power Switch (optional)	BAYPSW002
<b>Option 3.</b>	Hard Wire Kit	BAYHWRK001
	Connector for Hardwire	BAYCNHK014, BAYCNHK015, BAYCNHK016
	Power Switch (optional)	BAYPSW002

# Dimensions

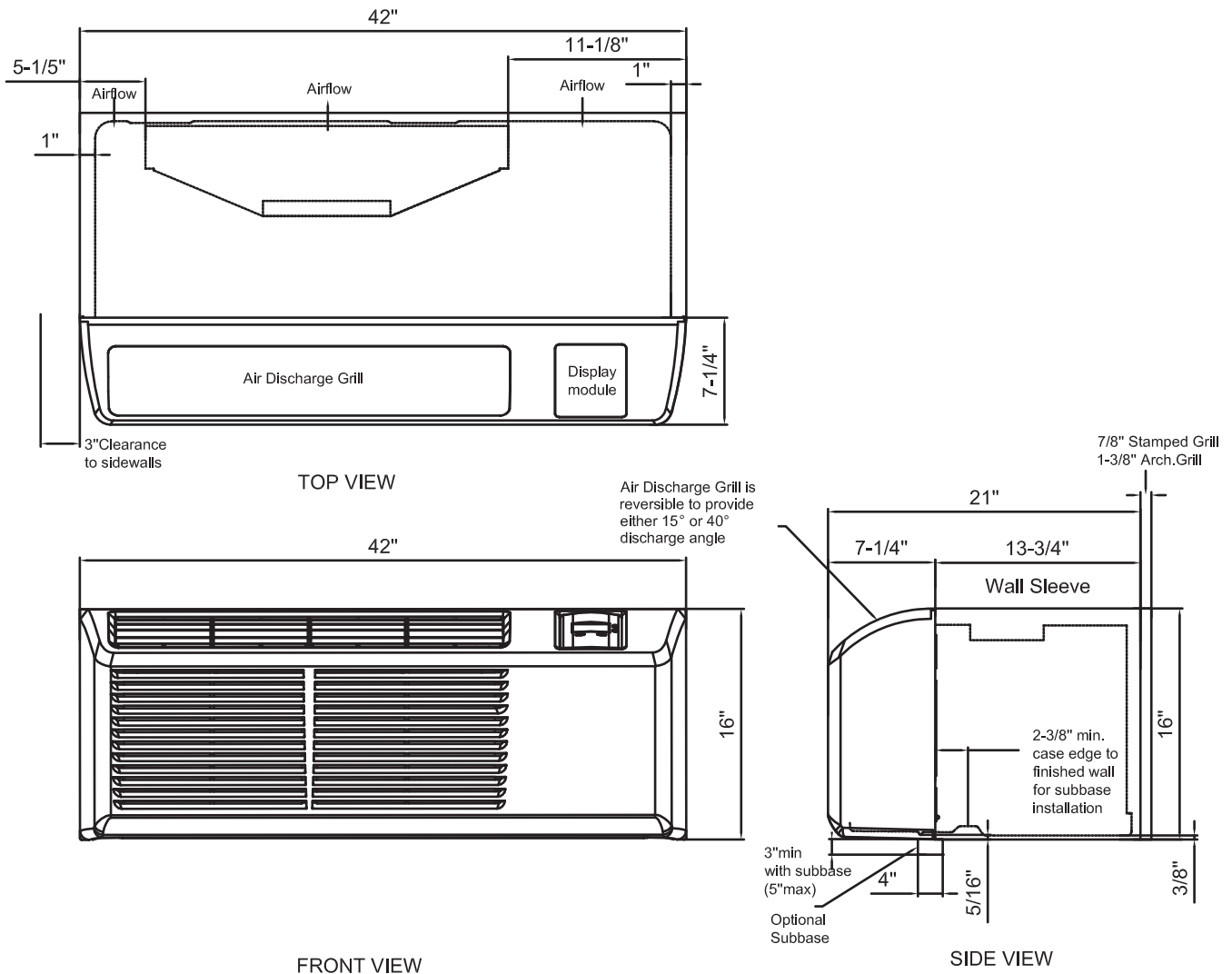


Figure 2. Unit with wall sleeve and subbase accessory

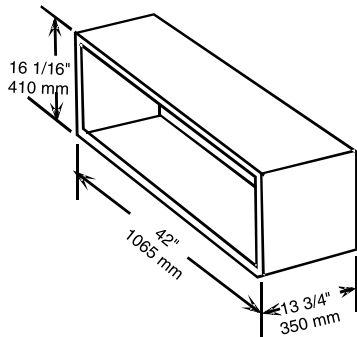


Figure 3. Wall sleeve dimensions

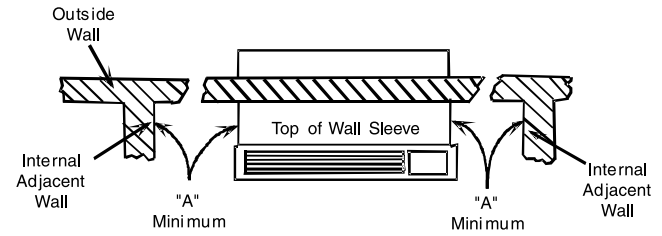


Figure 5. Minimum unit clearances

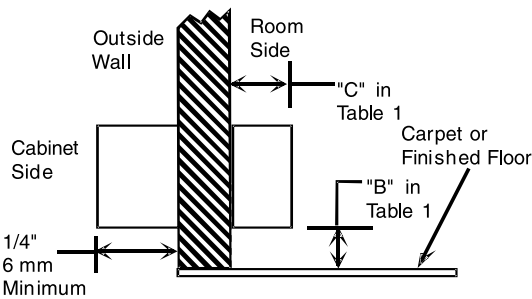


Figure 4. Minimum unit clearances

Table 15. Minimum clearances and projections

Option	In.		Mm		In.		Mm	
	Minimum clearances				Minimum projection			
	A		B		C			
Wall sleeve only	3	75	0	0	0	0	0	0
Subbase kit	3	75	3 1/4	85	2 3/4	70		
Leveling legs kit	3	75	3	75	2	50		
Hydronic heat kit <sup>i</sup>	9	230	2-6 <sup>ii</sup>	50 -150 <sup>iii</sup>	3-3 1/8 <sup>iv</sup>	76-80 <sup>v</sup>		
Drain kit	3	75	0 <sup>vi</sup>	1 <sup>vii</sup>	0	0		
Hardwire kit	3	75	3	75	0	0		

<sup>i)</sup> Max height is based on skirt options available.

<sup>ii)</sup> This dimension can be from 2-6", but if this dimension exceeds 6" an extended standard kick plate is necessary.

<sup>iii)</sup> This dimension can be from 50-150mm, but if this dimension exceeds 150mm an extended standard kick plate is necessary.

<sup>iv)</sup> To achieve a flush fit between the hydronic front and the finished wall, dimension "C" must be between 3" and 3-1/8". If this dimension is more than 3-1/8" there will be a gap between the front and the wall. This gap could permit occupant access to hydronic lines or other dangerous parts.

<sup>v)</sup> To achieve a flush fit between the hydronic front and the finished wall, dimension "C" must be between 76-80mm. If this dimension is more than 80mm there will be a gap between the front and the wall. This gap could permit occupant access to hydronic lines or other dangerous parts.

<sup>vi)</sup> If inside mounted then B = 1-1/2 inches

<sup>vii)</sup> If inside mounted then B = 40 mm

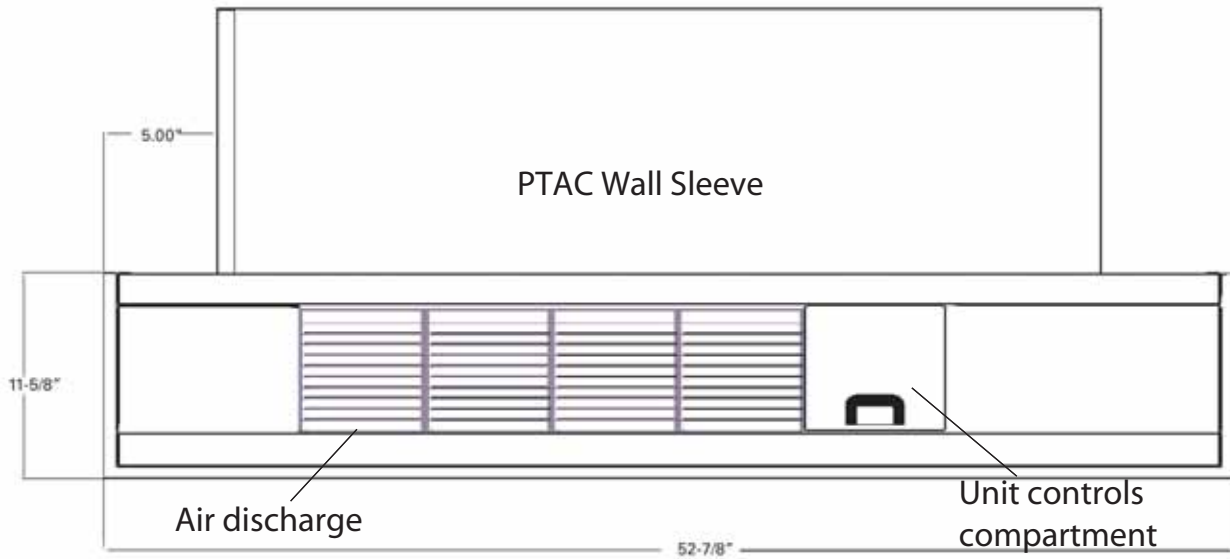


Figure 6. Top view of hydronic kit

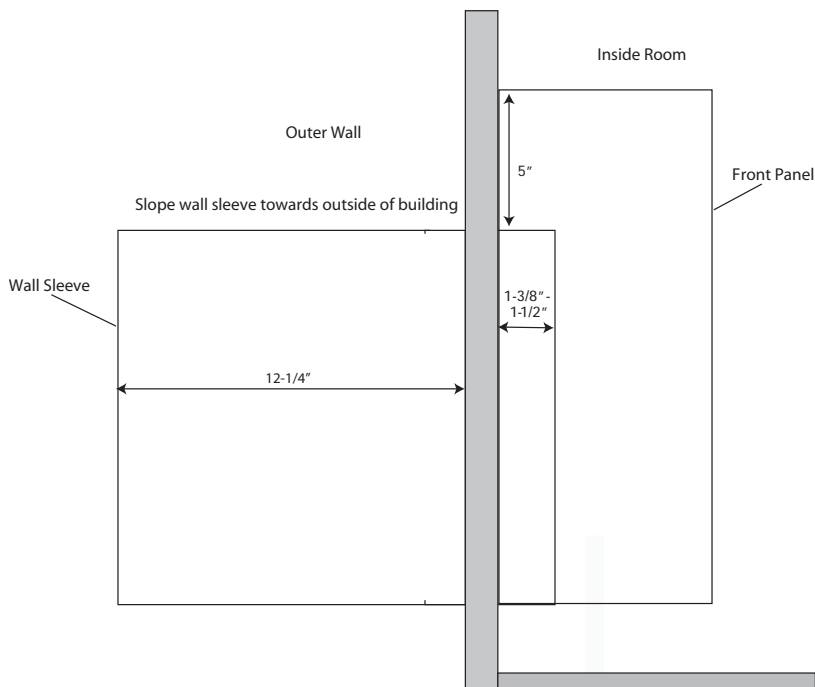


Figure 7. Side view of hydronic unit



# Mechanical Specifications

## General

Packaged Terminal Air Conditioners shall be of the sizes and capacities shown on the schedule and in the specifications. The units shall be located as shown on the drawings and each shall consist of a chassis, wall sleeve, outdoor grille, and subbase if specified.

Units shall ship with a plastic front cover with the exception of hydronic models. Hydronic models require the installation of a hot water or steam kit that will include a metallic front cover made of galvanized steel.

Units shall ship with a polycarbonate double sloped drain pan.

Units shall be approved and listed by cULus. Unit capacity and efficiency performance shall be certified in accordance with ARI standard 310/380-1993. Unit dimensions shall not exceed 42" wide and 16-1/6" high with room cabinet in place.

Units shall exceed ASHRAE Standard 90.1 for energy efficiency.

Unit shall be tested for conformance to ASTM water infiltration specification ASTM 331-00, which assures no water infiltration when tested at eight inches of rain per hour at 63 mph wind for 15 minutes.

Units shall be designed to operate on 115, 208/230, or 265 volts, 60 Hz., single phase power.

## Heating/Cooling Chassis

The chassis shall consist of the following sections and components:

Chassis shall be slide-in, plug-in type; ready to operate after installation.

Hermetically-sealed refrigerant system with external vibration isolated rotary-type compressor, condenser and evaporator coils and capillary refrigerant control.

The airflow system shall consist of one permanent split-capacitor, direct-drive, two-speed fan motor for the outdoor fan, and a separate permanent split-capacitor, two-speed fan motor for the indoor fan. Outdoor fan shall be multi-blade axial-flow design made with five injection molded plastic fan blades with slinger ring. Indoor fan shall be a cylindrical cross-flow blower fan to assure an evenly distributed air flow. All motors on the exterior side of the weather barrier shall be of an enclosed design to reduce the effects of moisture and corrosion.

Units, except hydronic models, shall have a resistance heater to provide specified heat output.

Condenser and evaporator coils to be constructed of high-efficiency, aluminum-enhanced louvered fins and grooved copper tubing necessary to achieve EER and COP rating of the unit.

Adjustable-closing fresh air vent, with vent door secured for shipping, and optional securing in the closed position, with a concealed manual control. The vent control shall allow 70 CFM (7,000 and 9,000 Btu units) or 80 CFM (12,000 and 15,000 Btu units) of fresh air to be drawn into the room when the unit's blower is operating.

## Heat Pump Chassis

Heat pump units shall automatically change from heat pump operation to electric resistance heat when heat pump operation is unable to produce sufficient heat to maintain room temperature within 2.5° F of thermostat setpoint, or when the outdoor air switch-over temperature falls below 20° F.

Heat pump unit shall automatically begin an active defrost cycle when the outdoor coil temperature drops below 21°F. Defrosting shall be accomplished by active defrost with unit automatically reinitiating heat pump operation when outdoor coil reaches 54°F or six minutes has elapsed after defrost has been initiated.



## Mechanical Specifications

---

### Front Panel

Units shall have a matching, easily removable, textured finish, wrap-around room cabinet molded of High Impact Polystyrene (HIPS) to resist corrosion and damage. Front panel shall have a sloped discharge so that obstructions are not placed on the unit. Cabinet shall have a low profile depth of 7 1/4" to minimize the unit's impact on room space. The front panel shall have the following features:

Adjustable indoor discharge air louvers that provide a 15 degree off vertical air pattern with an alternate position to provide a 40 degree off vertical air pattern. Louvers will be a polycarbonate material to resist bending, cracking, rusting and corrosion.

Air discharge area accessible for cleaning without tools when room front is removed.

### Filtration

Unit shall have indoor and outdoor air filters. Filters shall be washable polypropylene mesh. Indoor filters shall be accessible without requiring removal of room cabinet from chassis.

### Controls

Unit controls shall be easily accessible for selection of unit operation mode and temperature setpoint. The controller display shall clearly indicate the room temperature, setpoint, and operating mode.

Controls shall utilize solid state microprocessor based controller to allow the following operations:

Freeze protection that automatically activates the electric resistance heater and fan motor to warm and

circulate indoor air to help prevent damage due to freezing temperatures. Freeze protection shall operate as long as unit is connected to powered electrical circuit.

Remote Thermostat compatibility with 4 or 5 wire remote thermostats.

Electronic temperature limiting to limit maximum and minimum temperatures. Minimum cooling range shall be capable of being set between 50° F and 65° F, and heating range between 75° F and 90°F.

A fan cycle switch to permit the following three independently selectable modes for heating and cooling fan operation; 1) cycle with compressor 2) ON continuously, OFF in OFF mode 3) ON continuously, HIGH in OFF mode

Compatibility with 2 wire Front Desk Control systems.

The unit shall be capable of on board diagnostics. This diagnostic LCD is capable of displaying 8 diagnostics : Compressor Failure Indoor Temperature – No Backup Available, Indoor Temperature – Unit Sensor Failure 1, Indoor Temperature – Display Sensor Failure1, Indoor Coil Temperature Failure, Outdoor Temperature Failure, Outdoor Coil Temperature Failure, and Configuration Corrupted.



# Warranty

---

## Standard Warranty

### Warranty and Liability

Trane will repair or replace, free of charge, any part which proves to be defective due to workmanship or materials under the full first-year warranty. Trane will repair or replace, free of charge, the evaporator, condenser, compressor, or connecting tubing which proves to be defective due to workmanship or materials under the full five-year sealed system warranty. During the 2nd through 5th year functional parts warranty, Trane will provide free of charge, functional parts, which prove to be defective due to workmanship or materials. Components covered are switches, solenoids, fan motors, thermostats, circuit boards, factory installed heaters, blower wheel, fan propeller, capacitor. This LIMITED WARRANTY does not include diagnostic time, labor, or any transportation and reinstallation charges that may be required.

### Warranty Limitations

Warranties are effective as of the original date of purchase. An authorized Trane warranty agent must perform all warranty service. Reimbursement for warranty service is limited to normal service charges performed during the servicer's normal business hours. This applies only to original installation within the continental United States, Hawaii, Alaska, and Canada. Warranties are void if the product serial identification tag is removed or defaced to a point where the unit cannot be identified. In no event shall Trane be responsible for incidental or consequential damages.

### Owner's Responsibilities

The owner is responsible for providing proofs of purchase (sales invoice), providing normal care and maintenance, and making the product reasonably accessible for service. Other responsibilities include paying for service calls related to product installation or usage instructions and paying for replacement of filters, fuses and circuit breakers. Under the Limited Warranty, the owner is responsible for servicer's travel charges, labor, parts freight and cartage, if required.

### Warranty Exclusions

The Trane Company is not responsible for damage as a result of flooding, lightning, fire, wind, and accidents beyond Trane's control, damage as a result of products not installed according to Trane's instructions and specifications, and damage or failure resulting from installation in an environment containing highly corrosive chemical agents. Other exclusions consist of damage and/or no start conditions caused by improper or inadequate electrical connections, damage resulting from failure to perform routine maintenance as specified in the Service Manual, and replacement of fuses and replacement or resetting of circuit breakers.





[www.trane.com](http://www.trane.com)

For more information, contact your local Trane office or e-mail us at [comfort@trane.com](mailto:comfort@trane.com)

---

Literature Order Number      PTAC-PRC002-EN

Date      May 2008

Supersedes      PTAC-PRC002-EN 03/07

---

Trane has a policy of continuous product and product data improvement and reserves the right to change design and specifications without notice.