



## ULTRA QUIET EXHAUST FAN

The CF-130 fan is designed for high performance and quiet operation. This fan is equipped with specially designed mounting slots that allow for easy installation on concrete ceilings or wooden joists. The CF-130 is constructed with corrosion resistant, heavy gauge satin coat steel. The fan is suitable for installation over bath tub or shower stall with GFCI protected branch circuit. It also meets Washington State Ventilation and Indoor Air Quality Code.

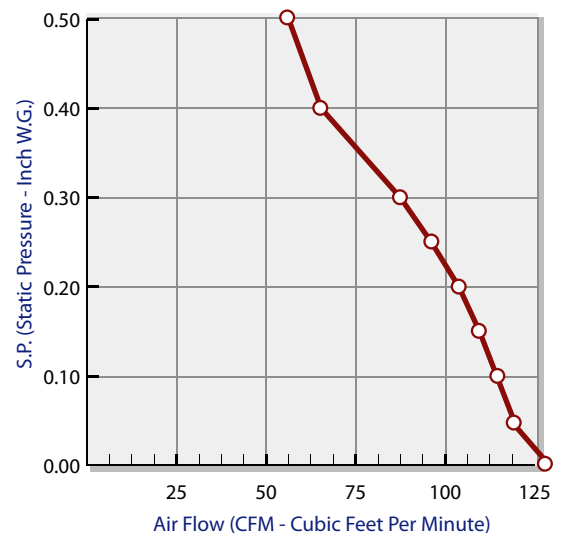


Plastic Backdraft Damper

White High Impact Styrene Grille

Off White Aluminum Louvered Grille

## CF-130 FAN DATA



## ACCESSORIES

### Standard:

- Insulated housing
- Plastic backdraft damper or metal collar with neoprene damper
- Mounting brackets
- Aluminum or styrene grille

### Optional:

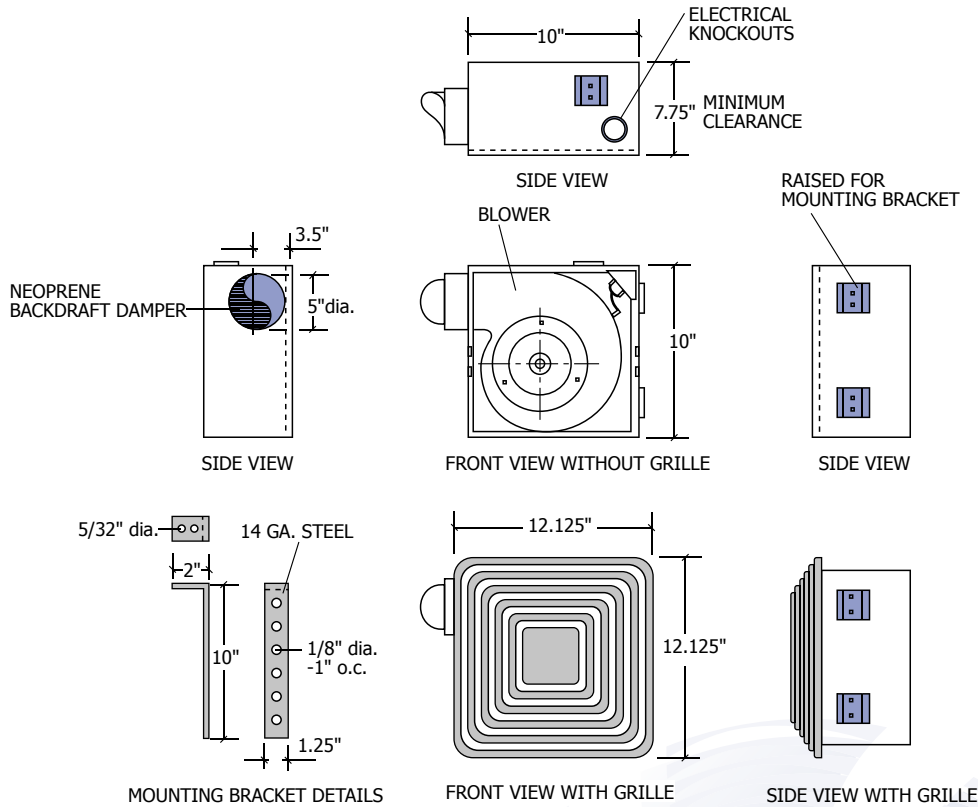
- Variable speed control
- Aluminum backdraft damper



**Reversomatic Manufacturing Ltd.**

790 Rowntree Dairy Road, Woodbridge, ON Canada L4L 5V3 • Tel: 905-851-6701 • Fax: 905-851-8376  
www.reversomatic.com • info@reversomatic.com

# CF-130 (QB-130 US model)



## HVI CERTIFIED RATINGS

MODEL	SONES	CFM @ 0.10" S.P.
CF-130	2.0	110

## FAN DATA

MODEL	MOTOR 120 VAC 60 Hz			CUBIC FEET PER MINUTE									
	RPM	AMPS	HP	S.P.	0.00	0.05	0.10	0.15	0.20	0.25	0.30	0.40	0.50
CF-130	1400	0.7	1/75	CFM	128	124	119	114	108	100	91	68	51

RPM (Revolution Per Minute) shown is nominal and performance is based on actual speed of test. Unit was tested with inlet grille, backdraft damper and outlet duct.

## SOUND RATING

OCTAVE BAND	1	2	3	4	5	6	7	8
CENTER FREQUENCY Hz	63	125	250	500	1000	2000	4000	8000
FULL-OCTAVE BAND SOUND PRESSURE LEVEL (dB)	45	62	49	48	47	44	39	30

Contractor:			CF-130 (QB-130 US model)			
Architect:		Job:		Date	Supersedes	Drawing NO.
Engineer:		Date Submitted:				

### Reversomatic Manufacturing Ltd.

790 Rowntree Dairy Road, Woodbridge, ON Canada L4L 5V3 • Tel: 905-851-6701 • Fax: 905-851-8376  
 www.reversomatic.com • info@reversomatic.com