



ULTRA SUPER QUIET EXHAUST FAN

The QCF-95 fan is designed for high performance and quiet operation. This fan is equipped with specially designed mounting slots that allow for easy installation on concrete ceilings or wooden joists. The QCF-95 is constructed with corrosion resistant, heavy gauge satin coat steel. The fan is suitable for installation over bath tub or shower stall with GFCI protected branch circuit. It also meets Washington State Ventilation and Indoor Air Quality Code.



Plastic Backdraft Damper

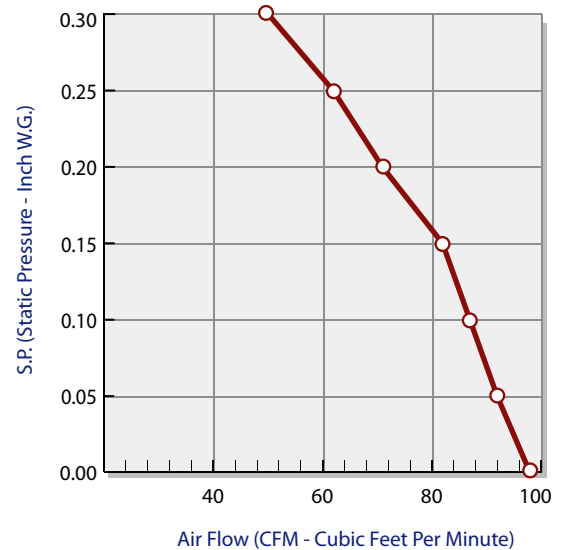
Off White Aluminum Grille



High Impact Styrene Grille

Off White Louvered Grille

QCF-95 FAN DATA



ACCESSORIES

Standard:

- White aluminum grille/louvered grille
- Mounting brackets
- Plastic backdraft damper or metal collar with neoprene damper

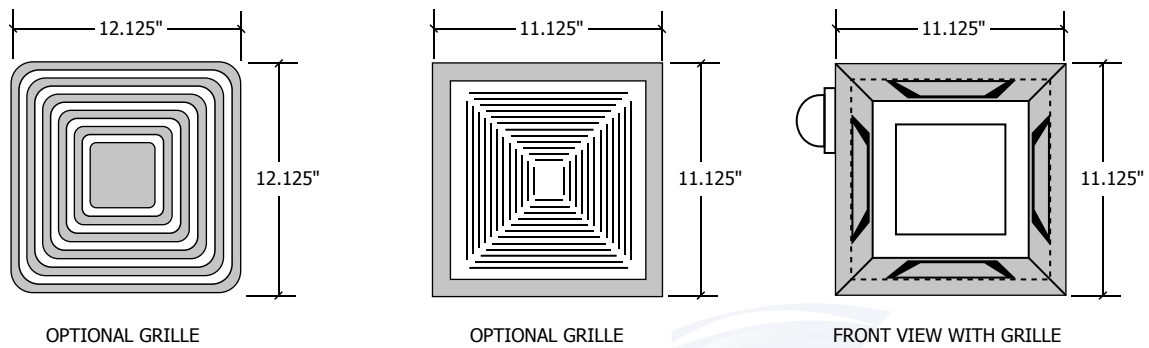
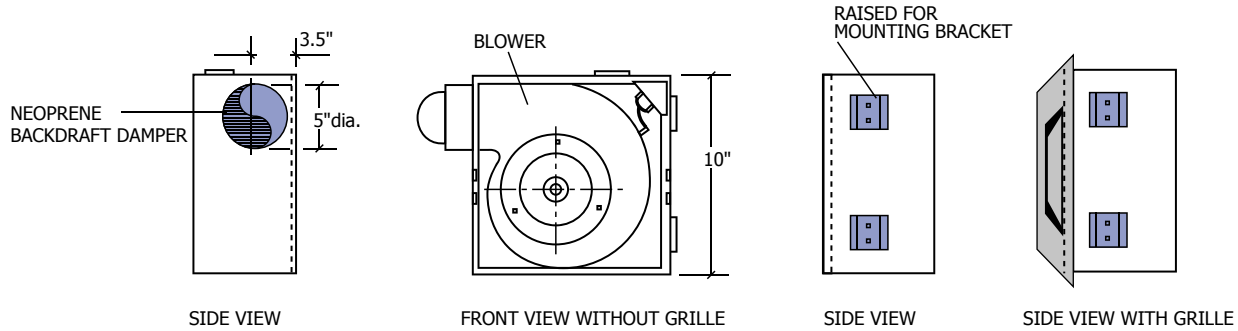
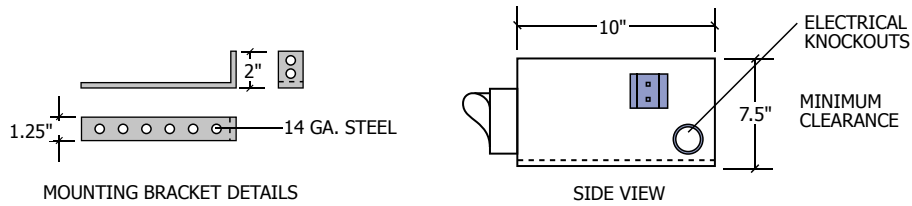
Optional:

- Variable speed control
- Aluminum backdraft damper
- White styrene grille



Reversomatic Manufacturing Ltd.

790 Rowntree Dairy Road, Woodbridge, ON Canada L4L 5V3 • Tel: 905-851-6701 • Fax: 905-851-8376
www.reversomatic.com • info@reversomatic.com



HVI CERTIFIED RATINGS

MODEL	SONES	CFM @ 0.10" S.P.
QCF-95	1.5	80

FAN DATA

MODEL	MOTOR 120 VAC 60 Hz		CUBIC FEET PER MINUTE							
	RPM	AMPS	S.P.	0.00	0.05	0.10	0.15	0.20	0.25	0.30
QCF-95	1050	0.35	CFM	98	92	87	82	71	62	51

RPM (Revolution Per Minute) shown is nominal and performance is based on actual speed of test. Unit was tested with inlet grille, backdraft damper and outlet duct.

Contractor:		QCF-95		
Architect:	Job:	Date	Supersedes	Drawing NO.
Engineer:	Date Submitted:			

Reversomatic Manufacturing Ltd.

790 Rowntree Dairy Road, Woodbridge, ON Canada L4L 5V3 • Tel: 905-851-6701 • Fax: 905-851-8376
 www.reversomatic.com • info@reversomatic.com