



www.Source1Parts.com

HVAC SERVICE PARTS

P2LBX20F19001 W/ 2BS13719001 AND
P3LBX20F19001 W/ 2BS23719001
LOW BOY OIL FIRED FURNACE WITH
BLOWER SECTION

Supersedes:035-17727-001 Rev. A (0902)

035-17727-001 Rev. B (0103)

1 of 8

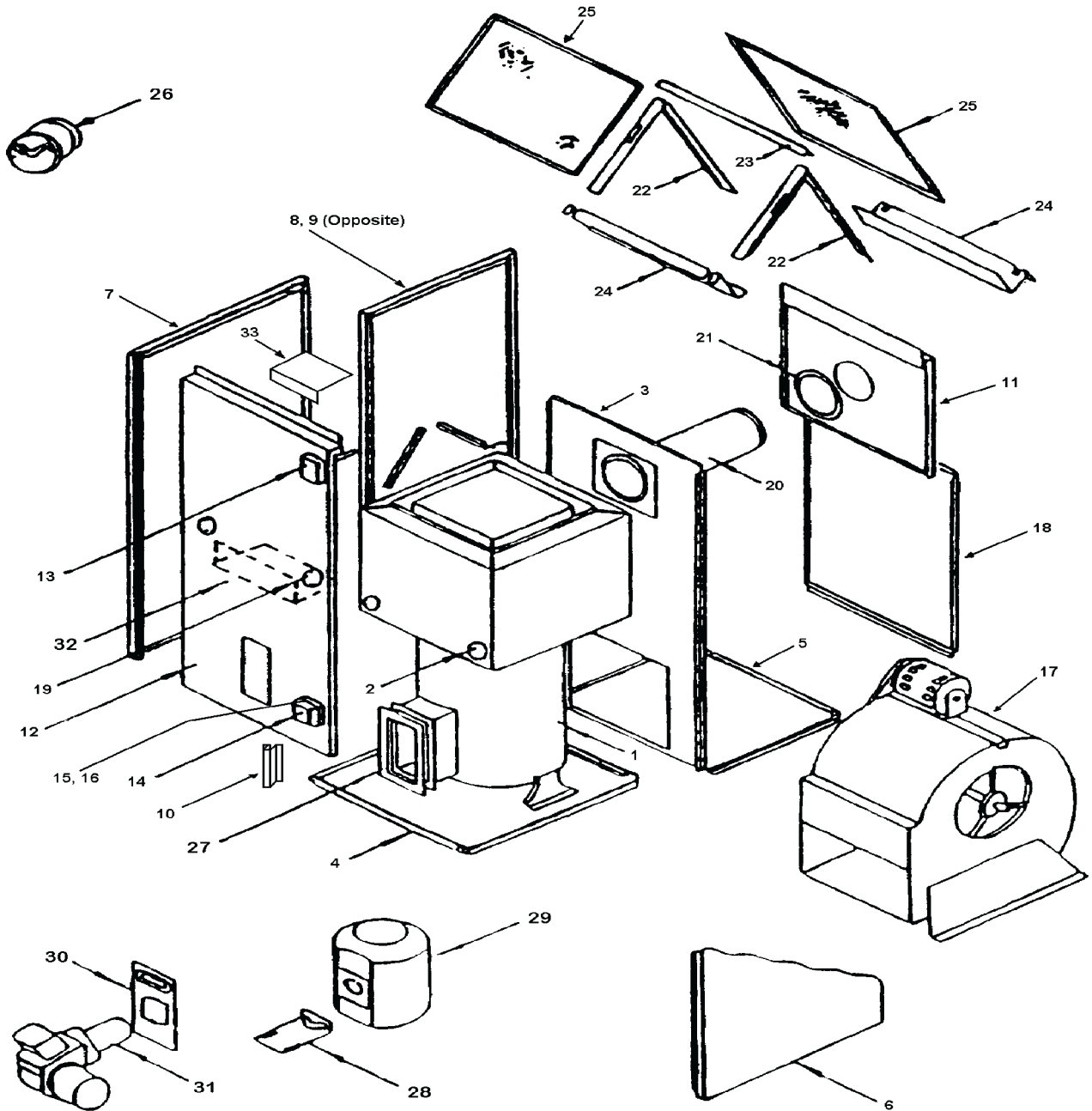


FIG. 1 - P2LX20F19001A / 2BS13719001

FIG	ITEM	DESCRIPTION	P2LBX20F19001A 2BS13719001A
1	1	Heat Exchanger Assembly	026-38799-000
1	2	Clean-out Cover Assembly (Radiator) (2 Req'd)	026-35655-001
*	2A	Yoke Assembly (Clean-out Cover) (2 Req'd)	026-39168-000
*	2B	Gasket, Clean-out Cover (2 Req'd)	026-13908-000
1	3	Panel, Blower Division	026-38781-000
1	4	Panel, Base	026-38742-000
1	5	Panel, Base (Blower)	026-38743-000
1	6	Panel, Left Side	026-39138-000
1	7	Panel, Right Side	026-39138-000
1	8	Panel, Left Side (Blower)	026-39141-000
1	9	Panel, Right Side (Blower)	026-39140-000
1	10	Channel, Wire Retainer	026-39178-000
1	11	Panel, Upper Rear	026-38758-000
1	12	Panel, Front	026-38770-000
1	13	Control, Fan & Limit (Set Point 200 Deg. F)	026-38674-000
1	14	Cover, Junction Box	026-39128-000
1	15	Box, Junction	026-39127-000
*	16	Fuse Holder	026-38666-000
1	16A	Fuse (ABC-15)	025-33715-000
1	17	Blower Assembly (Complete)	026-38703-000
*	17A	Blower, Housing and Wheel	026-35652-004
*	17B	Motor, Blower	024-27847-000
*	17C	Pulley, Blower Motor	026-39182-000
*	17D	Pulley, Blower	026-13912-000
*	17E	Belt, Fan	026-39185-000
*	17F	Blower Foot, Left	026-39154-000
*	17G	Blower Foot, Right	026-39153-000
*	17H	Grommet, Blower Foot (4 Req'd)	026-39184-000
1	18	Access Panel, Blower Door	026-39191-000
1	19	Cover, Clean-out (2 Req'd)	026-35645-002
1	20	Flue Pipe Assembly	026-39131-000
1	21	Gasket, Flue Collar (7")	026-13909-001
1	22	Rail, Filter (2 Req'd)	026-38721-000
1	23	Angle, Filter	026-38722-000
1	24	Support, Filter (2 Req'd)	026-38723-000
1	25	Filter (2 Req'd) (Disposable, 20"x 25"x 1")	026-38724-000
1	26	Draft Regulator (7")	026-35660-000
1	27	Gasket, Pouch	026-13907-000
1	28	Retainer, Firepot	026-39192-000
1	29	Firepot Replacement- Wet Pack	028-13916-000
1	30	Plate Assembly, Burner Mounting	026-35658-001
1	31	Burner Assembly, Oil	026-38726-000
*	31A	Nozzle (1.65/70 Deg. B)	026-38717-000
*	31B	Motor, Burner	024-32000-000
*	31C	Wheel, Blower	026-38707-000
*	31D	Coupling	026-38739-000
*	31E	Pump, Oil	026-37415-000
*	31F	Transformer, Ignition	025-33711-000
*	31G	Primary, Oil (Protector Relay)	026-38663-000
*	31H	Cad Cell	026-38737-000
*	31I	Air Tube Combination	026-39147-000
*	31J	Retention Head, F16	026-39150-000
*	31K	Gasket, Flange	026-39181-000
1	32	Baffle, Front Panel	026-39162-000
1	33	Baffle, Top Front Panel	026-39163-000
*	33A	Panel, Upper Rear, Blower Compartment (Plenum Edge)	026-39170-000

NOTE: *Not Shown

New replacement parts shown in **bold** face type at the first printing of parts list dated 1/03.
Major components and suggested stocking items are shown with shaded item number.

"<" Across from row indicates a change in that row.

--- Not applicable to specified model.

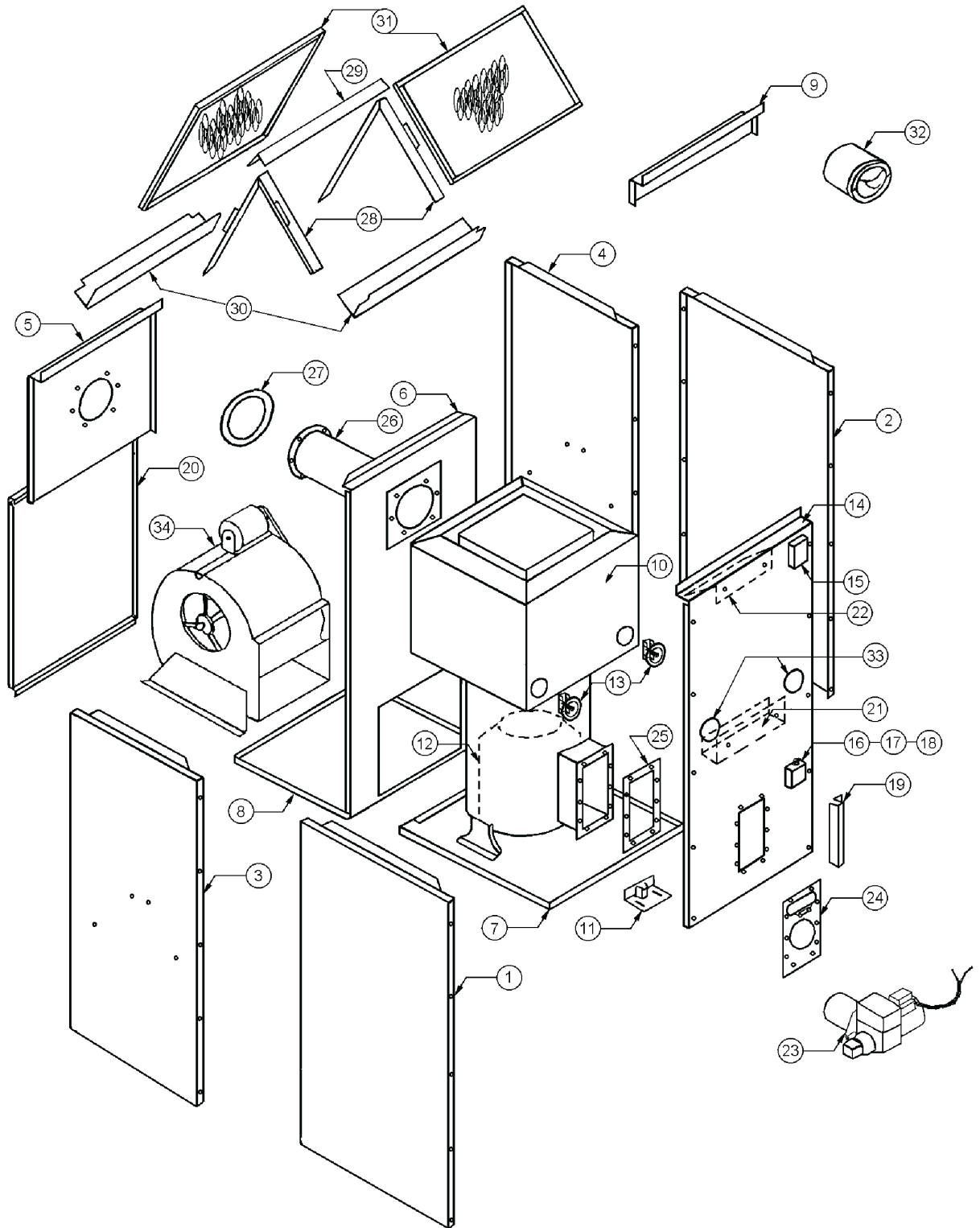


FIG. 2 - P3LX20F19001A / 2BS23719001

FIG	ITEM	DESCRIPTION	P3LBX20F19001A 2BS23719001A
2	1	Panel, Left Side (Heating Compartment)	026-39139-000
2	2	Panel, Right Side (Heating Compartment)	026-39139-000
2	3	Panel, Left Side (Blower Compartment)	026-39141-000
2	4	Panel, Right Side (Blower Compartment)	026-39142-000
2	5	Panel, Upper Rear (Blower Compartment)	026-38759-000
2	6	Panel, Blower Partition	026-38778-000
2	7	Panel Assembly, Base (Heating Compartment)	026-38742-000
2	8	Panel Assembly, Base (Blower Compartment)	026-38743-000
2	9	Panel, Upper Rear (Heating Compartment)(Plenum Edge)	026-39170-000
2	10	Heat Exchanger Assembly	026-37438-000
2	11	Firepot Bracket Assembly	026-39192-000
2	12	Combustion Chamber, Replacement	028-13916-000
2	13	Clean-out Cover Assembly (Radiator) (2 Req'd)	026-35656-000
*	13A	Yoke Assembly	026-35666-000
*	13B	Cover, Clean-out	026-35655-001
*	13C	Gasket, Clean-out Cover	028-13908-000
2	14	Panel, Front	026-38769-000
*	14A	Logo Bezel	026-38695-000
*	14B	Logo Label	026-38696-000
2	15	Control, Fan & Limit (8" Insertion, Set @ 200 Deg.F)	026-38674-000
2	16	Box, Junction	026-39127-000
2	17	Fuse Holder	026-38666-000
2	18	Fuse (ABC-15)	025-33715-000
2	19	Retainer Channel, Wire	026-39169-000
2	20	Access Panel, Blower Door	026-38785-000
*	20A	Handle, Door	026-38694-000
2	21	Baffle, Front Panel	026-39162-000
2	22	Baffle, Top Front Panel	026-39163-000
2	23	Burner Assembly, Oil	026-38728-000
*	23A	Motor, Burner	026-38862-000
*	23B	Pump, Oil	026-38738-000
*	23C	Ignitor, Solid State	026-38735-000
*	23D	Control, Primary Combustion	026-38664-000
*	23E	Air Tube Combination	026-39147-000
*	23F	Retention Head, Flame	026-39150-000
*	23G	Nozzle, 1.65/70 Deg.B	026-38717-000
2	24	Mounting Plate Assembly, Oil Burner	026-35658-001
*	24A	Door, Inspection	026-35687-000
*	24B	Gasket, Inspection Door	028-13910-000
2	25	Gasket, Pouch	026-13907-000
2	26	Flue Pipe Assembly	026-39131-000
2	27	Gasket, Flue Pipe (2 Req'd)	028-13909-001
2	28	Filter Rail Assembly (2 Req'd)	026-38721-000
2	29	Filter Support, Top	026-38722-000
2	30	Filter Support, Front and Rear (2 Req'd)	026-38723-000
2	31	Filter (2 Req'd) (Disposable 20"x 25"x 1") Filter (2 Req'd) (Permanent 20"x 25"x 1")	026-38724-000 026-35676-002
2	32	Regulator, Draft (7")	026-35660-000
2	33	Cover, Casing Clean-out (2 Req'd)	026-35645-002

NOTE: *Not ShownNew replacement parts shown in **bold** face type at the first printing of parts list dated 1/03.

Major components and suggested stocking items are shown with shaded item number.


"←" Across from row indicates a change in that row.

--- Not applicable to specified model.

FIG	ITEM	DESCRIPTION	P3LBX20F19001A 2BS23719001A
2	34	Blower Assembly	026-38703-000
*	34A	Housing and Wheel, Blower	026-35652-004
*	34B	Motor, Blower	024-27847-000
*	34C	Pulley, Motor	026-39182-000
*	34D	Pulley, Blower	028-13912-000
*	34E	Belt, Fan	026-39185-000
*	34F	Base Feet, Blower (RH)	026-39153-000
*	34G	Base Feet, Blower (LH)	026-39154-000

NOTE: *Not Shown

New replacement parts shown in **bold** face type at the first printing of parts list dated 1/03.

Major components and suggested stocking items are shown with shaded item number. 

"<" Across from row indicates a change in that row.

--- Not applicable to specified model.

NOTES

TO ORDER AUTHORIZED FACTORY REPLACEMENT PARTS - Contact your Source1 HVAC Parts Distributor or visit our website at www.Source1Parts.com for a Distributor and Dealer listing.