



Air Conditioners 4AC14L

TECHNICAL SPECIFICATIONS

- R-410A Refrigerant
- Compressors with internal pressure relief valves and inherent thermal protection
- High-quality condenser coil with copper tubing and enhanced louvered fin for maximum heat transfer capacity
- Top discharge directs hot air away from living area and shrubbery
- All units factory run tested
- Louvered cabinet protects coil from fin damage
- Easy access to electrical panels, prewired for easy hook-up to internal components
- Hinged control panel allows easy access for testing internal components
- 45-degree service valves for easy hook-up and service
- Liquid line filter drier furnished for field installation
- Charged for 15 feet of interconnecting tubing
- All units UL, ULC approved and AHRI listed

14 SEER
1.5 to 5 Tons



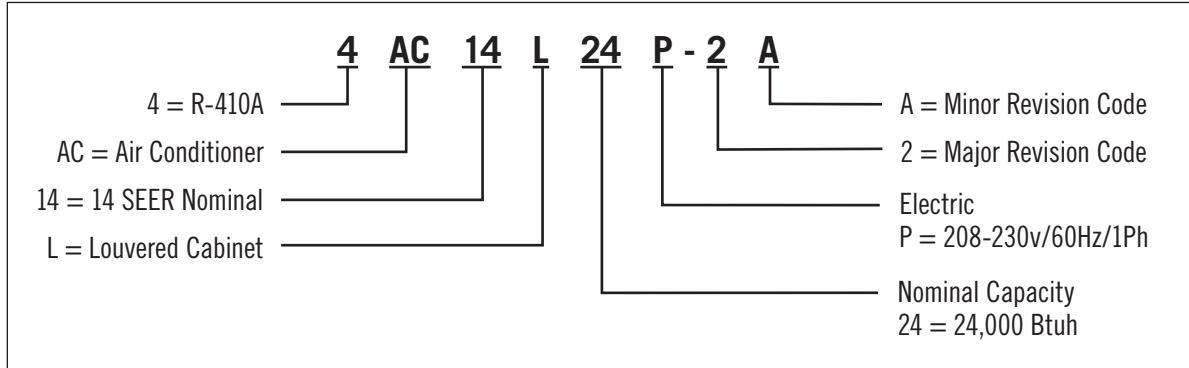
Warranty

Compressor - 5 Year Limited
Parts - 5 Year Limited

Air Conditioners

4AC14L

Model Number Identification



Electrical Data / Specifications

Model No.	4AC14L18P	4AC14L24P	4AC14L30P	4AC14L36P	4AC14L42P	4AC14L48P	4AC14L60P
Rated Voltage (Volts)	208-230	208-230	208-230	208-230	208-230	208-230	208-230
Phase	1	1	1	1	1	1	1
Frequency (Hz.)	60	60	60	60	60	60	60
Voltage Range	197-253	197-253	197-253	197-253	197-253	197-253	197-253
Maximum Overcurrent Protection	20	30	30	30	40	50	60
Minimum Circuit Ampacity	12.0	17.9	17.2	18.7	24.1	29.0	34.8
Compressor - Rated Load Amps	9.0	13.4	12.9	14.1	17.9	21.8	26.4
Compressor - Locked Rotor Amps	48	58	64	77	112	117	134
Fan Motor - Rated Load Amps	0.7	1.1	1.1	1.1	1.7	1.7	1.8
Fan Motor - HP	1/10	1/6	1/6	1/6	1/4	1/4	1/3
Fan Motor - Nominal RPM	1075	1075	825	825	825	1825	825
Refrigerant Charge (oz.)*	91	104	107	107	138	160	192
Liquid Line Set	3/8	3/8	3/8	3/8	3/8	3/8	3/8
Vapor Line Set	3/4	3/4	3/4	7/8	7/8	7/8	7/8
Weight (lbs)	138	166	172	177	208	239	253

* Factory charged for 15 feet of line set. Adjust per Installation Instructions.

Air Conditioners

4AC14L

Cooling Performance

Outdoor Unit Model No.	¹ Rated Air Capacity	SEER	EER	Indoor Unit Model No.	AHRI Reference No.
4AC14L18P	17,600	14.00	11.50	A*24E(1,2)*+TXV+TD	3819571
	18,000	14.00	12.00	AH24D(1,2)B+TXV+TD	3819577
	18,000	13.50	11.50	RBCS2M18C****P+TXV	3809337
	18,000	13.50	11.50	RBCS2M18C****T	3809336
4AC14L24P	22,400	14.00	11.00	A*30F(1,2)*+TXV+TD	3836965
	22,400	14.00	11.00	AH30F(1,2)B+TXV+TD	3836966
	23,000	14.00	12.00	RBCS2M24C****P+TXV	3809350
	23,000	14.00	12.00	RBCS2M24C****T	3809349
4AC14L30P	27,400	14.00	11.50	A*30F(1,2)*+TXV+TD	3819572
	27,400	14.00	11.50	AH30F(1,2)B+TXV+TD	3819578
	28,000	14.00	12.00	RBCS2M30C****P+TXV	3809371
	28,000	14.00	12.00	RBCS2M30C****T	3809370
4AC14L36P	33,200	14.00	11.50	A*36G(1,2)*+TXV+TD	3819573
	33,200	14.00	11.50	AH36G(1,2)B+TXV+TD	3819579
	34,000	14.00	12.00	RBCS2M36C****P+TXV	3809396
	34,000	14.00	12.00	RBCS2M36C****T	3809395
4AC14L42P	40,000	14.00	12.00	A*48D(1,2)*+TXV+TD	3819574
	40,500	14.00	12.00	AH48C(1,2)C+TXV+TD	3819580
	40,000	14.00	11.50	RBCS2M42C****P+TXV	3809436
	40,000	14.00	11.50	RBCS2M42C****T	3809435
4AC14L48P	47,500	14.00	11.50	A*48D(1,2)*+TXV+TD	3819575
	47,500	14.00	11.50	AH48C(1,2)C+TXV+TD	3819581
	48,000	14.00	11.50	RBCS2M48C****P+TXV	3809456
	48,000	14.00	11.50	RBCS2M48C****T	3809455
4AC14L60P	58,000	14.00	12.00	A*60G(1,2)*+TXV+TD	3819576
	58,000	14.00	12.00	AH60D(1,2)C+TXV+TD	3819582
	58,000	14.00	12.00	AH60D(1,2)D+TXV+TD	3819583
	58,000	14.00	12.00	RBCS2M60C****P+TXV	3809467
	58,000	14.00	12.00	RBCS2M60C****T	3809466

¹ Certified in accordance with Unitary Air Conditioning Program which is based on AHRI Standard 210/240.

NOTES - All ratings include the use of a blower time delay. All RBC air handlers have time delay capabilities. If a coil is matched with a furnace the furnace may require an optional time delay relay for field installation. See furnace or air handler specifications to determine if relay is needed.

NOTES - AL* = All AU (uncased) and AC (cased) Aire-Flo coils.

+TXV = TXV required.

+TD = Time Delay required.

****P+TXV = Piston equipped models with optional TXV

****T = TXV equipped models

Air Conditioners

4AC14L

Accessories

Model No.	4AC14L18P	4AC14L24P	4AC14L30P	4AC14L36P	4AC14L42P	4AC14L48P	4AC14L60P
Blower Off Delay Kit	58M81	58M81	58M81	58M81	58M81	58M81	58M81
Crankcase Heater	93M04	93M04	93M04	93M04	93M05	93M05	93M05
Compressor Sound Cover	69J03	69J03	69J03	69J03	69J03	69J03	69J03
Hard Start Kit	10J42	88M91	88M91	88M91	88M91	88M91	88M91
Freezestat - 3/8'	93G35	93G35	93G35	93G35	93G35	93G35	93G35
Freezestat - 5/8'	50A93	50A93	50A93	50A93	50A93	50A93	50A93
Loss of Charge Kit	84M23	84M23	84M23	84M23	84M23	84M23	84M23
Low Ambient Kit	45F08	45F08	45F08	45F08	45F08	45F08	45F08
Short Cycle Protection	47J27	47J27	47J27	47J27	47J27	47J27	47J27
Thermostatic Expansion Valve (TXV)	37L51	37L51	37L51	39L72	39L72	91M02	91M02

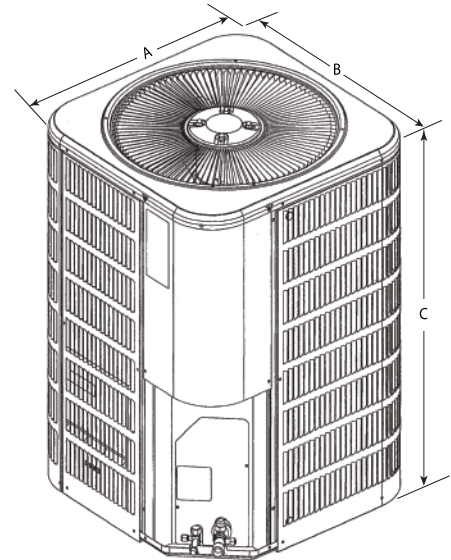
Sound Ratings

Model No.	Sound Rating dBA
4AC14L18P	76
4AC14L24P	76
4AC14L30P	76
4AC14L36P	76
4AC14L42P	80
4AC14L48P	80
4AC14L60P	80

Dimensions

Model No.	4AC14L18P	4AC14L24P	4AC14L30P	4AC14L36P
Cabinet Width (A) in.	24-1/4"	28-1/4"	28-1/4"	28-1/4"
Cabinet Depth (B) in.	24-1/4"	28-1/4"	28-1/4"	28-1/4"
Height (C) in.	28-1/2"	32-1/2"	36-1/2"	36-1/2"

Model No.	4AC14L42P	4AC14L48P	4AC14L60P
Cabinet Width (A) in.	28-1/4"	28-1/4"	32-1/4"
Cabinet Depth (B) in.	28-1/4"	28-1/4"	32-1/4"
Height (C) in.	28-1/2"	36-1/2"	32-1/2"



Air Conditioners 4AC14L



1.800.982.2333
www.aireflo-hvac.com

