

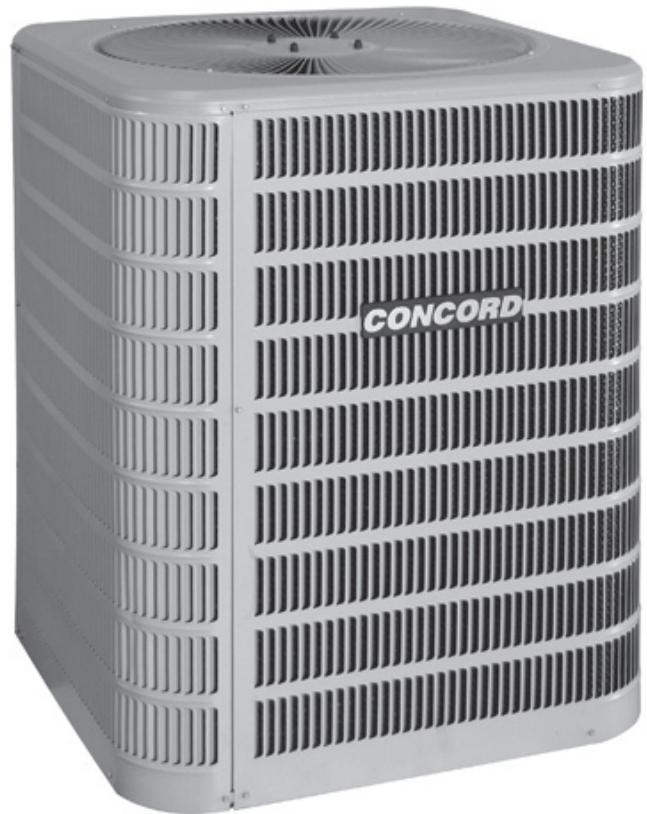
Split System Air Conditioner

14 SEER

4AC14 Features and Benefits

Form No. R4AC14L-2-100 (5/2010)

- R410A Refrigerant
- Durable compressors with internal pressure relief valves and inherent thermal protection
- High-quality condenser coil with copper tubing and enhanced louvered fin for maximum heat transfer capacity
- Top discharge directs hot air and sound away from living area and shrubbery
- All units are factory run tested
- Available with louvered panel coil protection
- Easy access to electrical panels, pre-wired for easy hook-up to internal components
- 45-degree service valves for easy hook-up and service
- Liquid line filter drier shipped loose
- All units UL and ULC approved and AHRI listed
- Charged for 15 feet of interconnecting tubing



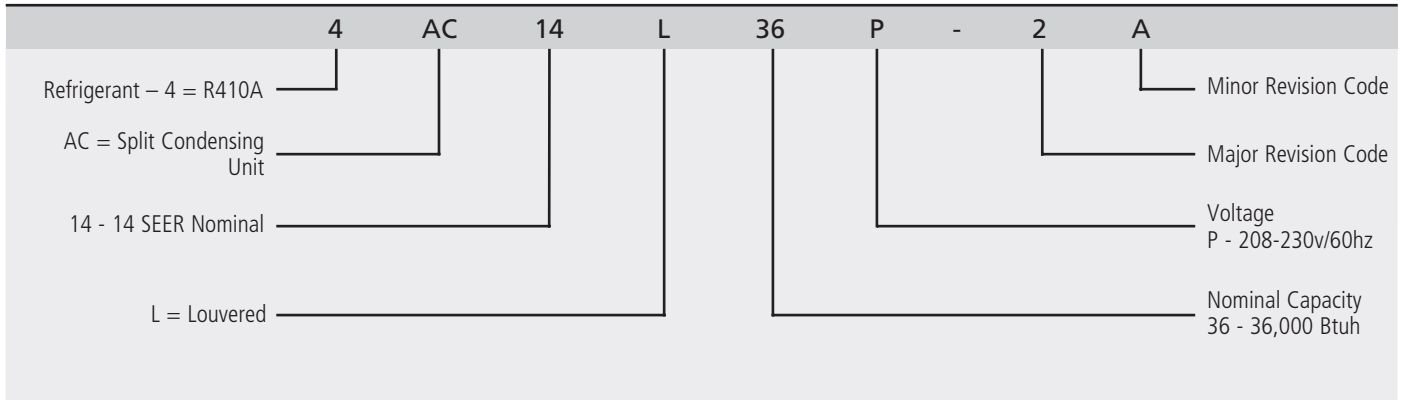
WARRANTY

- 10 year limited warranty on compressor, 10 year limited warranty on all parts, extended warranty available*

*Warranty provides for a total of 10 years of limited warranty coverage (Standard 5-year limited parts warranty plus an additional 5-year limited extended parts warranty). Warranty must be registered online within 60 days of installation to qualify for 10-year coverage. Unregistered equipment defaults to 5-year coverage. Lifetime limited heat exchanger warranty applies to registered equipment only (Standard 20 years with no online registration). See full warranty at www.alliedair.com for terms, conditions and exclusions.

CONCORD™
Quality heating and cooling products

Model Number Guide



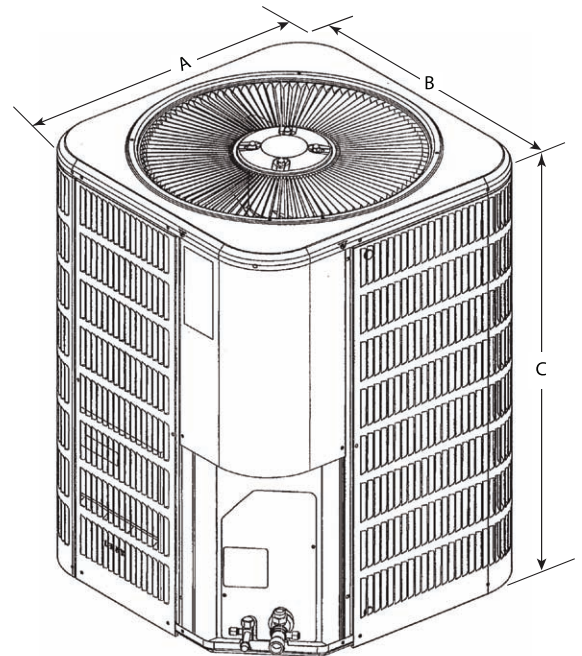
Electrical and Physical Data

Model	Voltage/ Hz/ Phase	Voltage Range	Min. Circuit Amp.	Maximum Over Current Device (amps)	Compressor		Fan Motor			Refrig. Charge (oz.)*	Weight (lbs.) Louvered
					Rated Load (Amps)	Locked Rotor (Amps)	Full Load Amps	Rated HP	Nom. RPM		
4AC14L18P-2	208-230/60/1	197-253	12.00	20	9	48	0.7	1/10	1075	91	138
4AC14L24P-2	208-230/60/1	197-253	17.90	30	13.4	58	1.1	1/6	1075	104	166
4AC14L30P-2	208-230/60/1	197-253	17.20	30	12.9	64	1.1	1/6	825	107	172
4AC14L36P-2	208-230/60/1	197-253	18.70	30	14.1	77	1.1	1/6	825	107	177
4AC14L41P-2	208-230/60/1	197-253	22.80	35	16.7	79	1.7	1/4	825	161	210
4AC14L42P-2	208-230/60/1	197-253	24.10	40	17.9	112	1.7	1/4	825	138	208
4AC14L47P-2	208-230/60/1	197-253	26.70	45	19.9	109	1.8	1/3	825	179	251
4AC14L48P-2	208-230/60/1	197-253	29.00	50	21.8	117	1.7	1/4	825	160	239
4AC14L60P-2	208-230/60/1	197-253	34.80	60	26.4	134	1.8	1/3	825	192	253

* Factory charged for 15 feet of line set. Adjust per Installation Instructions

Dimensions (in.) and Sound Ratings

Model	Dimensions			Sound Rating (dBa)
	A - width (in.)	B - depth (in.)	C - height (in.)	
4AC14L18P-2	24.25	24.25	28.5	76
4AC14L24P-2	28.25	28.25	32.5	76
4AC14L30P-2	28.25	28.25	36.5	76
4AC14L36P-2	28.25	28.25	36.5	76
4AC14L41P-2	28.25	28.25	36.5	78
4AC14L42P-2	28.25	28.25	28.5	80
4AC14L47P-2	32.25	32.25	32.5	80
4AC14L48P-2	28.25	28.25	36.5	80
4AC14L60P-2	32.25	32.25	32.5	80



Cooling Performance with Evaporator Coils

Outdoor Model	Indoor Model	SEER	EER	Rated AHRI Capacity ¹	Rated Sensible Capacity	CFM	Refrigerant Connection				Refrigerant Line Size		Indoor Metering Device	
	Piston or Field Installed TXV						Outdoor		Indoor		Suction	Liquid	Req'd Indoor ² Orifice	Optional Field Installed Orifice
							Suction	Liquid	Suction	Liquid				
4AC14L18P-2	E*1P23+TDR+TXV	14.00	12.00	18000	12600	650	3/4	3/8	3/4	3/8	3/4	3/8	NA	A4TXV01
	E*1P29+TDR+TXV	14.00	12.00	18000	12600	650	3/4	3/8	3/4	3/8	3/4	3/8	NA	A4TXV01
4AC14L24P-2	E*1P23+TDR+TXV	14.00	11.50	23000	16790	800	3/4	3/8	3/4	3/8	3/4	3/8	NA	A4TXV01
	E*1P29+TDR+TXV	14.00	11.50	23000	17520	800	3/4	3/8	3/4	3/8	3/4	3/8	NA	A4TXV01
	E*1P36+TDR+TXV	14.00	12.00	23000	17520	800	3/4	3/8	3/4	3/8	3/4	3/8	NA	A4TXV01
4AC14L30P-2	E*1P29+TDR+TXV	14.00	12.00	28000	21560	1000	3/4	3/8	3/4	3/8	3/4	3/8	NA	A4TXV01
	E*1P36+TDR+TXV	14.00	12.00	28000	21560	1000	3/4	3/8	3/4	3/8	3/4	3/8	NA	A4TXV01
	E*1P43+TDR+TXV	13.50	11.50	28000	21560	1000	3/4	3/8	3/4	3/8	3/4	3/8	NA	A4TXV01
4AC14L36P-2	E*1P36B,C+TDR+TXV	14.00	12.00	34000	24820	1200	7/8	3/8	7/8	3/8	7/8	3/8	NA	A4TXV01
	E*1P43B,C+TDR+TXV	14.00	12.00	34000	24820	1200	7/8	3/8	7/8	3/8	7/8	3/8	NA	A4TXV01
	E*1P48B,C+TDR+TXV	14.00	11.50	34000	24820	1200	7/8	3/8	7/8	3/8	7/8	3/8	NA	A4TXV01
	E*1P49C+TDR+TXV	14.00	12.00	34000	24820	1200	7/8	3/8	7/8	3/8	7/8	3/8	NA	A4TXV01
4AC14L41P-2	E*1P49C+TDR+TXV	14.00	12.00	38000	30020	1400	7/8	3/8	7/8	3/8	7/8	3/8	NA	A4TXV02
	E*1P62C+TDR+TXV	14.00	12.00	38000	30020	1400	7/8	3/8	7/8	3/8	7/8	3/8	NA	A4TXV02
4AC14L42P-2	E*1P49C+TDR+TXV	14.00	12.00	40000	30340	1400	7/8	3/8	7/8	3/8	7/8	3/8	NA	A4TXV02
	E*1P62C+TDR+TXV	14.00	11.50	41000	30340	1400	7/8	3/8	7/8	3/8	7/8	3/8	NA	A4TXV02
4AC14L47P-2	E*1P49C+TDR+TXV	14.00	12.00	47000	34780	1600	7/8	3/8	7/8	3/8	7/8	3/8	NA	A4TXV02
	E*1P62C+TDR+TXV	14.00	13.00	47000	34780	1600	7/8	3/8	7/8	3/8	7/8	3/8	NA	A4TXV02
	E*1P62D+TDR+TXV	14.00	12.00	47000	34780	1600	7/8	3/8	7/8	3/8	7/8	3/8	NA	A4TXV02
4AC14L48P-2	E*1P62C+TDR+TXV	14.00	12.00	48000	37240	1600	7/8	3/8	7/8	3/8	7/8	3/8	NA	A4TXV02
	E*1P62D+TDR+TXV	14.00	11.50	48000	36480	1600	7/8	3/8	7/8	3/8	7/8	3/8	NA	A4TXV02
4AC14L60P-2	E*1P62C+TDR+TXV	14.00	12.00	58000	41760	1800	1-1/8	3/8	7/8	3/8	1 1/8	3/8	NA	A4TXV02
	E*1P62D+TDR+TXV	13.50	11.50	57000	41040	1800	1-1/8	3/8	7/8	3/8	1 1/8	3/8	NA	A4TXV02

¹ Certified in accordance with Unitary Air Conditioner Certification Program, which is based on AHRI Standard 210/240.

² Required to achieve AHRI rating.

A blower time delay is required to achieve AHRI rating.

Cooling Performance with Air Handlers and Furnaces 18, 24

Outdoor Model	Indoor Model			SEER	EER	Rated AHRI Capacity ¹	Rated Sensible Capacity	CFM	Refrigerant Connection				Refrigerant Line Size		Indoor Metering Device	
	Piston or Field Installed TXV	Factory Installed TXV	Variable Speed Furnace						Outdoor		Indoor		Suction	Liquid	Req'd Indoor Orifice ²	Optional Field Installed
									Suction	Liquid	Suction	Liquid				
4AC14L 18P-2	RBCS2M18			13.50	11.50	18000	14483	650	3/4	3/8	3/4	3/8	3/4	3/8	NA	A4TXV01
	BCS2M18	BCS2M18****T		13.50	11.50	18000	14483	650	3/4	3/8	3/4	3/8	3/4	3/8	NA	A4TXV01
	BCS2M24V			15.10	12.50	18000	14483	650	3/4	3/8	3/4	3/8	3/4	3/8	NA	A4TXV01
	BCS2M24V			15.10	12.50	18000	14483	650	3/4	3/8	3/4	3/8	3/4	3/8	NA	A4TXV01
	E*1P23		CG95***V12B	15.10	12.50	18000	14483	650	3/4	3/8	3/4	3/8	3/4	3/8	NA	A4TXV01
	E*1P23		CG80***V12B	15.10	12.50	18000	14483	650	3/4	3/8	3/4	3/8	3/4	3/8	NA	A4TXV01
	E*1P29		CG95***V12B	15.10	12.50	18000	14483	650	3/4	3/8	3/4	3/8	3/4	3/8	NA	A4TXV01
	E*1P29		CG80***V12B	15.10	12.50	18000	14483	650	3/4	3/8	3/4	3/8	3/4	3/8	NA	A4TXV01
4AC14L 24P-2	RBCS2M24			14.00	12.00	23000	18140	800	3/4	3/8	3/4	3/8	3/4	3/8	NA	A4TXV01
	BCS2M24	BCS2M24****T		14.00	12.00	23000	18140	800	3/4	3/8	3/4	3/8	3/4	3/8	NA	A4TXV01
	RBCS2M24V			16.00	13.00	23000	18140	800	3/4	3/8	3/4	3/8	3/4	3/8	NA	A4TXV01
	BCS2M24V			16.00	13.00	23000	18140	800	3/4	3/8	3/4	3/8	3/4	3/8	NA	A4TXV01
	E*1P23		CG95***V12B	15.10	12.50	23000	18140	800	3/4	3/8	3/4	3/8	3/4	3/8	NA	A4TXV01
	E*1P23		CG95***V14B	15.10	12.50	23000	18140	800	3/4	3/8	3/4	3/8	3/4	3/8	NA	A4TXV01
	E*1P23		CG80***V12B	15.10	12.50	23000	18140	800	3/4	3/8	3/4	3/8	3/4	3/8	NA	A4TXV01
	E*1P23		CG80***V14B	15.10	12.50	23000	18140	800	3/4	3/8	3/4	3/8	3/4	3/8	NA	A4TXV01
	E*1P29		CG95***V12B	15.10	12.50	23000	18140	800	3/4	3/8	3/4	3/8	3/4	3/8	NA	A4TXV01
	E*1P29		CG95***V14B	15.10	12.50	23000	18140	800	3/4	3/8	3/4	3/8	3/4	3/8	NA	A4TXV01
	E*1P29		CG80***V12B	15.10	12.50	23000	18140	800	3/4	3/8	3/4	3/8	3/4	3/8	NA	A4TXV01
	E*1P29		CG80***V14B	15.10	12.50	23000	18140	800	3/4	3/8	3/4	3/8	3/4	3/8	NA	A4TXV01
	E*1P36		CG95***V12B	15.10	12.50	23000	18140	800	3/4	3/8	3/4	3/8	3/4	3/8	NA	A4TXV01
	E*1P36		CG95***V14B	15.10	12.50	23000	18140	800	3/4	3/8	3/4	3/8	3/4	3/8	NA	A4TXV01
	E*1P36		CG80***V12B	15.10	12.50	23000	18140	800	3/4	3/8	3/4	3/8	3/4	3/8	NA	A4TXV01
	E*1P36		CG80***V14B	15.10	12.50	23000	18140	800	3/4	3/8	3/4	3/8	3/4	3/8	NA	A4TXV01

¹Certified in accordance with Unitary Air Conditioner Certification Program, which is based on AHRI Standard 210/240.

²Required to achieve AHRI rating.

A blower time delay is required to achieve AHRI rating. This feature is standard on all Allied Air Enterprises furnace and air handler products.

Cooling Performance with Air Handlers and Furnaces 30

Outdoor Model	Indoor Model			SEER	EER	Rated AHRI Capacity ¹	Rated Sensible Capacity	CFM	Refrigerant Connection				Refrigerant Line Size		Indoor Metering Device	
	Piston or Field Installed TXV	Factory Installed TXV	Variable Speed Furnace						Outdoor		Indoor		Suction	Liquid	Req'd Indoor ²	Optional Field Installed
									Suction	Liquid	Suction	Liquid				
4AC14L 30P-2	RBCS2M30			14.00	12.00	28000	21560	1000	3/4	3/8	3/4	3/8	3/4	3/8	NA	A4TXV01
	BCS2M30	BCS2M30****T		14.00	12.00	28000	21560	1000	3/4	3/8	3/4	3/8	3/4	3/8	NA	A4TXV01
	RBCS2M36V			15.10	12.50	28000	21560	1000	3/4	3/8	3/4	3/8	3/4	3/8	NA	A4TXV01
	BCS2M36V			15.10	12.50	28000	21560	1000	3/4	3/8	3/4	3/8	3/4	3/8	NA	A4TXV01
	E*1P29		CG95***V12B	14.50	12.00	28000	21560	1000	3/4	3/8	3/4	3/8	3/4	3/8	NA	A4TXV01
	E*1P29		CG95***V14B	14.50	12.00	28000	21560	1000	3/4	3/8	3/4	3/8	3/4	3/8	NA	A4TXV01
	E*1P29		CG95***V16C	15.10	12.50	28000	21560	1000	3/4	3/8	3/4	3/8	3/4	3/8	NA	A4TXV01
	E*1P29		CG80***V12B	15.10	12.50	28000	21560	1000	3/4	3/8	3/4	3/8	3/4	3/8	NA	A4TXV01
	E*1P29		CG80***V14B	15.10	12.50	28000	21560	1000	3/4	3/8	3/4	3/8	3/4	3/8	NA	A4TXV01
	E*1P36		CG95***V12B	15.10	12.50	28000	21560	1000	3/4	3/8	3/4	3/8	3/4	3/8	NA	A4TXV01
	E*1P36		CG95***V14B	15.10	12.50	28000	21560	1000	3/4	3/8	3/4	3/8	3/4	3/8	NA	A4TXV01
	E*1P36		CG95***V16C	15.10	12.50	28000	21560	1000	3/4	3/8	3/4	3/8	3/4	3/8	NA	A4TXV01
	E*1P36		CG80***V12B	15.10	12.50	28000	21560	1000	3/4	3/8	3/4	3/8	3/4	3/8	NA	A4TXV01
	E*1P36		CG80***V14B	15.10	12.50	28000	21560	1000	3/4	3/8	3/4	3/8	3/4	3/8	NA	A4TXV01
	E*1P43		CG95***V12B	15.10	12.50	28000	21560	1000	3/4	3/8	3/4	3/8	3/4	3/8	NA	A4TXV01
	E*1P43		CG95***V14B	15.10	12.50	28000	21560	1000	3/4	3/8	3/4	3/8	3/4	3/8	NA	A4TXV01
	E*1P43		CG95***V16C	15.10	12.50	28000	21560	1000	3/4	3/8	3/4	3/8	3/4	3/8	NA	A4TXV01
	E*1P43		CG80***V12B	15.10	12.50	28000	21560	1000	3/4	3/8	3/4	3/8	3/4	3/8	NA	A4TXV01
	E*1P43		CG80***V14B	15.10	12.50	28000	21560	1000	3/4	3/8	3/4	3/8	3/4	3/8	NA	A4TXV01

¹Certified in accordance with Unitary Air Conditioner Certification Program, which is based on AHRI Standard 210/240.

²Required to achieve AHRI rating.

A blower time delay is required to achieve AHRI rating. This feature is standard on all Allied Air Enterprises furnace and air handler products.

Cooling Performance with Air Handlers and Furnaces 36

Outdoor Model	Indoor Model			SEER	EER	Rated AHRI Capacity ¹	Rated Sensible Capacity	CFM	Refrigerant Connection				Refrigerant Line Size		Indoor Metering Device	
	Piston or Field Installed TXV	Factory Installed TXV	Variable Speed Furnace						Outdoor		Indoor		Suction	Liquid	Req'd Indoor ² Orifice	Optional Field Installed
									Suction	Liquid	Suction	Liquid				
4AC14L 36P-2 (Continued on next page)	RBCS2M36			14.00	12.00	34000	25245	1200	7/8	3/8	7/8	3/8	7/8	3/8	NA	A4TXV01
	BCS2M36	RBCS2M36****T		14.00	12.00	34000	25245	1200	7/8	3/8	7/8	3/8	7/8	3/8	NA	A4TXV01
	RBCS2M36V			14.50	12.50	34000	25245	1200	7/8	3/8	7/8	3/8	7/8	3/8	NA	A4TXV01
	BCS2M36V			14.50	12.50	34000	25245	1200	7/8	3/8	7/8	3/8	7/8	3/8	NA	A4TXV01
	E*1P36B,C		CG95***V12B	14.50	12.00	34000	25245	1200	7/8	3/8	7/8	3/8	7/8	3/8	NA	A4TXV01
	E*1P36B,C		CG95***V14B	14.50	12.00	34000	25245	1200	7/8	3/8	7/8	3/8	7/8	3/8	NA	A4TXV01
	E*1P36B,C		CG95***V16C	14.50	12.00	34000	25245	1200	7/8	3/8	7/8	3/8	7/8	3/8	NA	A4TXV01
	E*1P36B,C		CG95***V20C	15.10	12.50	34000	25245	1200	7/8	3/8	7/8	3/8	7/8	3/8	NA	A4TXV01
	E*1P36B,C		CG80***V12B	14.50	12.00	34000	25245	1200	7/8	3/8	7/8	3/8	7/8	3/8	NA	A4TXV01
	E*1P36B,C		CG80***V14B	14.50	12.00	34000	25245	1200	7/8	3/8	7/8	3/8	7/8	3/8	NA	A4TXV01
	E*1P36B,C		CG80***V20C	14.50	12.00	34000	25245	1200	7/8	3/8	7/8	3/8	7/8	3/8	NA	A4TXV01
	E*1P36B,C		CG80***V20D	15.10	12.50	34000	25245	1200	7/8	3/8	7/8	3/8	7/8	3/8	NA	A4TXV01
	E*1P43B,C		CG95***V12B	14.50	12.00	34000	25245	1200	7/8	3/8	7/8	3/8	7/8	3/8	NA	A4TXV01
	E*1P43B,C		CG95***V14B	14.50	12.00	34000	25245	1200	7/8	3/8	7/8	3/8	7/8	3/8	NA	A4TXV01
	E*1P43B,C		CG95***V16C	15.10	12.00	34000	25245	1200	7/8	3/8	7/8	3/8	7/8	3/8	NA	A4TXV01
	E*1P43B,C		CG95***V20C	15.10	12.50	34000	25245	1200	7/8	3/8	7/8	3/8	7/8	3/8	NA	A4TXV01
	E*1P43B,C		CG80***V12B	14.50	12.00	34000	25245	1200	7/8	3/8	7/8	3/8	7/8	3/8	NA	A4TXV01
	E*1P43B,C		CG80***V14B	14.50	12.00	34000	25245	1200	7/8	3/8	7/8	3/8	7/8	3/8	NA	A4TXV01

¹Certified in accordance with Unitary Air Conditioner Certification Program, which is based on AHRI Standard 210/240.

²Required to achieve AHRI rating.

A blower time delay is required to achieve AHRI rating. This feature is standard on all Allied Air Enterprises furnace and air handler products.

Cooling Performance with Air Handlers and Furnaces 36

Outdoor Model	Indoor Model			SEER	EER	Rated AHRI Capacity ¹	Rated Sensible Capacity	CFM	Refrigerant Connection				Refrigerant Line Size		Indoor Metering Device	
	Piston or Field Installed TXV	Factory Installed TXV	Variable Speed Furnace						Outdoor		Indoor		Suction	Liquid	Req'd Indoor ² Orifice	Optional Field Installed
									Suction	Liquid	Suction	Liquid				
(Continued from previous page) 4AC14L 36P-2	E*1P43B,C		CG80***V20C	14.50	12.00	34000	25245	1200	7/8	3/8	7/8	3/8	7/8	3/8	NA	A4TXV01
	E*1P43B,C		CG80***V20D	15.10	12.50	34000	25245	1200	7/8	3/8	7/8	3/8	7/8	3/8	NA	A4TXV01
	E*1P48B,C		CG95***V12B	14.50	12.00	34000	25245	1200	7/8	3/8	7/8	3/8	7/8	3/8	NA	A4TXV01
	E*1P48B,C		CG95***V14B	14.50	12.00	34000	25245	1200	7/8	3/8	7/8	3/8	7/8	3/8	NA	A4TXV01
	E*1P48B,C		CG95***V16C	14.50	12.00	34000	25245	1200	7/8	3/8	7/8	3/8	7/8	3/8	NA	A4TXV01
	E*1P48B,C		CG95***V20C	14.50	12.00	34000	25245	1200	7/8	3/8	7/8	3/8	7/8	3/8	NA	A4TXV01
	E*1P48B,C		CG80***V12B	14.50	12.00	34000	25245	1200	7/8	3/8	7/8	3/8	7/8	3/8	NA	A4TXV01
	E*1P48B,C		CG80***V14B	14.50	12.00	34000	25245	1200	7/8	3/8	7/8	3/8	7/8	3/8	NA	A4TXV01
	E*1P48B,C		CG80***V20C	14.50	12.00	34000	25245	1200	7/8	3/8	7/8	3/8	7/8	3/8	NA	A4TXV01
	E*1P48B,C		CG80***V20D	15.10	12.50	34000	25245	1200	7/8	3/8	7/8	3/8	7/8	3/8	NA	A4TXV01
	E*1P49C		CG95***V12B	14.50	12.00	34000	25245	1200	7/8	3/8	7/8	3/8	7/8	3/8	NA	A4TXV01
	E*1P49C		CG95***V14B	14.50	12.00	34000	25245	1200	7/8	3/8	7/8	3/8	7/8	3/8	NA	A4TXV01
	E*1P49C		CG95***V16C	14.50	12.00	34000	25245	1200	7/8	3/8	7/8	3/8	7/8	3/8	NA	A4TXV01
	E*1P49C		CG95***V20C	15.10	12.50	34000	25245	1200	7/8	3/8	7/8	3/8	7/8	3/8	NA	A4TXV01
	E*1P49C		CG80***V12B	14.50	12.00	34000	25245	1200	7/8	3/8	7/8	3/8	7/8	3/8	NA	A4TXV01
	E*1P49C		CG80***V14B	14.50	12.00	34000	25245	1200	7/8	3/8	7/8	3/8	7/8	3/8	NA	A4TXV01
	E*1P49C		CG80***V20C	14.50	12.00	34000	25245	1200	7/8	3/8	7/8	3/8	7/8	3/8	NA	A4TXV01
	E*1P49C		CG80***V20D	15.10	12.50	34000	25245	1200	7/8	3/8	7/8	3/8	7/8	3/8	NA	A4TXV01

¹Certified in accordance with Unitary Air Conditioner Certification Program, which is based on AHRI Standard 210/240.

²Required to achieve AHRI rating.

A blower time delay is required to achieve AHRI rating. This feature is standard on all Allied Air Enterprises furnace and air handler products.

Cooling Performance with Air Handlers and Furnaces 41, 42

Outdoor Model	Indoor Model			SEER	EER	Rated AHRI Capacity ¹	Rated Sensible Capacity	CFM	Refrigerant Connection				Refrigerant Line Size		Indoor Metering Device	
	Piston or Field Installed TXV	Factory Installed TXV	Variable Speed Furnace						Outdoor		Indoor		Suction	Liquid	Req'd Indoor ² Orifice	Optional Field Installed
									Suction	Liquid	Suction	Liquid				
4AC14L 41P-2	RBCS2M42			15.10	12.50	38000	30020	1400	7/8	3/8	7/8	3/8	7/8	3/8	NA	A4TXV02
	BCS2M42	BCS2M42****T		15.10	12.50	38000	30020	1400	7/8	3/8	7/8	3/8	7/8	3/8	NA	A4TXV02
	RBCS2M42V			16.00	13.00	38000	30020	1400	7/8	3/8	7/8	3/8	7/8	3/8	NA	A4TXV02
	BCS2M42V			16.00	13.00	38000	30020	1400	7/8	3/8	7/8	3/8	7/8	3/8	NA	A4TXV02
	EFV16C			15.10	12.50	38000	30020	1400	7/8	3/8	7/8	3/8	7/8	3/8	NA	A4TXV02
	E*1P49C		CG95***V16C	15.10	12.50	38000	30020	1400	7/8	3/8	7/8	3/8	7/8	3/8	NA	A4TXV02
	E*1P49C		CG95***V20C	15.10	12.50	38000	30020	1400	7/8	3/8	7/8	3/8	7/8	3/8	NA	A4TXV02
	E*1P49D		CG80***V20C	16.00	13.00	38000	30020	1400	7/8	3/8	7/8	3/8	7/8	3/8	NA	A4TXV02
	E*1P62C		CG95***V16C	15.10	12.50	38000	30020	1400	7/8	3/8	7/8	3/8	7/8	3/8	NA	A4TXV02
	E*1P62C		CG95***V20C	15.10	12.50	38000	30020	1400	7/8	3/8	7/8	3/8	7/8	3/8	NA	A4TXV02
	E*1P62C		CG80***V20C	16.00	13.00	38000	30020	1400	7/8	3/8	7/8	3/8	7/8	3/8	NA	A4TXV02
4AC14L 42P-2	RBCS2M42			14.00	11.50	40000	30913	1400	7/8	3/8	7/8	3/8	7/8	3/8	NA	A4TXV02
	BCS2M42	BCS2M42****T		14.00	11.50	40000	30913	1400	7/8	3/8	7/8	3/8	7/8	3/8	NA	A4TXV02
	RBCS2M42V			14.50	12.00	40000	30913	1400	7/8	3/8	7/8	3/8	7/8	3/8	NA	A4TXV02
	BCS2M42V			14.50	12.00	40000	30913	1400	7/8	3/8	7/8	3/8	7/8	3/8	NA	A4TXV02
	E*1P49C+TDR		CG95***V16C	14.50	12.00	40000	30913	1400	7/8	3/8	7/8	3/8	7/8	3/8	NA	A4TXV02
	E*1P49C+TDR		CG95***V20C	14.50	12.00	40000	30913	1400	7/8	3/8	7/8	3/8	7/8	3/8	NA	A4TXV02

¹Certified in accordance with Unitary Air Conditioner Certification Program, which is based on AHRI Standard 210/240.

²Required to achieve AHRI rating.

A blower time delay is required to achieve AHRI rating. This feature is standard on all Allied Air Enterprises furnace and air handler products.

Cooling Performance with Air Handlers and Furnaces 42, 47

Outdoor Model	Indoor Model			SEER	EER	Rated AHRI Capacity ¹	Rated Sensible Capacity	CFM	Refrigerant Connection				Refrigerant Line Size		Indoor Metering Device	
	Piston or Field Installed TXV	Factory Installed TXV	Variable Speed Furnace						Outdoor		Indoor		Suction	Liquid	Req'd Indoor ² Orifice	Optional Field Installed
									Suction	Liquid	Suction	Liquid				
4AC14L 42P-2 Cont. from previous page	E*1P49D+TDR		CG95***V20D	14.50	12.00	40000	30913	1400	7/8	3/8	7/8	3/8	7/8	3/8	NA	A4TXV02
	E*1P49C+TDR		CG80***V20C	15.10	12.50	40000	30913	1400	7/8	3/8	7/8	3/8	7/8	3/8	NA	A4TXV02
	E*1P49D+TDR		CG80***V20D	14.50	12.00	40000	30913	1400	7/8	3/8	7/8	3/8	7/8	3/8	NA	A4TXV02
	E*1P62C+TDR		CG95***V16C	14.50	12.00	40000	30913	1400	7/8	3/8	7/8	3/8	7/8	3/8	NA	A4TXV02
	E*1P62C+TDR		CG95***V20C	14.50	12.00	40000	30913	1400	7/8	3/8	7/8	3/8	7/8	3/8	NA	A4TXV02
	E*1P62C+TDR		CG95***V20D	14.50	12.00	40000	30913	1400	7/8	3/8	7/8	3/8	7/8	3/8	NA	A4TXV02
	E*1P62C+TDR		CG80***V14B	14.50	12.00	40000	30913	1400	7/8	3/8	7/8	3/8	7/8	3/8	NA	A4TXV02
	E*1P62C+TDR		CG80***V20C	15.10	12.50	40000	30913	1400	7/8	3/8	7/8	3/8	7/8	3/8	NA	A4TXV02
	E*1P62C+TDR		CG80***V20D	14.50	12.00	40000	30913	1400	7/8	3/8	7/8	3/8	7/8	3/8	NA	A4TXV02
4AC14L 47P-2	RBCS2M48			14.00	12.00	47000	34780	1600	7/8	3/8	7/8	3/8	7/8	3/8	NA	A4TXV02
	BCS2M48	RBCS2M48****T		14.00	12.00	47000	34780	1600	7/8	3/8	7/8	3/8	7/8	3/8	NA	A4TXV02
	RBCS2M48V			16.00	13.00	47000	34780	1600	7/8	3/8	7/8	3/8	7/8	3/8	NA	A4TXV02
	BCS2M48V			16.00	13.00	47000	34780	1600	7/8	3/8	7/8	3/8	7/8	3/8	NA	A4TXV02
	EFV16C+E*1P62C			15.10	12.50	47000	34780	1600	7/8	3/8	7/8	3/8	7/8	3/8	NA	A4TXV02
	E*1P49C		CG80***V20C	15.10	13.00	47000	34780	1600	7/8	3/8	7/8	3/8	7/8	3/8	NA	A4TXV02
	E*1P49C		CG95***V20C	15.10	12.50	47000	34780	1600	7/8	3/8	7/8	3/8	7/8	3/8	NA	A4TXV02
	E*1P62C		CG80***V20C	16.00	13.00	47000	34780	1600	7/8	3/8	7/8	3/8	7/8	3/8	NA	A4TXV02
	E*1P62C		CG95***V20C	16.00	13.00	47000	34780	1600	7/8	3/8	7/8	3/8	7/8	3/8	NA	A4TXV02
	E*1P62D		CG80***V20D	15.10	12.50	47000	34780	1600	7/8	3/8	7/8	3/8	7/8	3/8	NA	A4TXV02

¹Certified in accordance with Unitary Air Conditioner Certification Program, which is based on AHRI Standard 210/240.

²Required to achieve AHRI rating.

A blower time delay is required to achieve AHRI rating. This feature is standard on all Allied Air Enterprises furnace and air handler products.

Cooling Performance with Air Handlers and Furnaces 48, 60

Outdoor Model	Indoor Model			SEER	EER	Rated AHRI Capacity ¹	Rated Sensible Capacity	CFM	Refrigerant Connection				Refrigerant Line Size		Indoor Metering Device	
	Piston or Field Installed TXV	Factory Installed TXV	Variable Speed Furnace						Outdoor		Indoor		Suction	Liquid	Req'd Indoor ² Orifice	Optional Field Installed
									Suction	Liquid	Suction	Liquid				
4AC14L 48P-2	RBCS2M48			14.00	11.50	48000	38115	1600	7/8	3/8	7/8	3/8	7/8	3/8	NA	A4TXV02
	BCS2M48	RBCS2M48****T		14.00	11.50	48000	38115	1600	7/8	3/8	7/8	3/8	7/8	3/8	NA	A4TXV02
	RBCS2M48V			15.10	12.50	48000	38115	1600	7/8	3/8	7/8	3/8	7/8	3/8	NA	A4TXV02
	BCS2M48V			15.10	12.50	48000	38115	1600	7/8	3/8	7/8	3/8	7/8	3/8	NA	A4TXV02
	E*1P62C+TDR		CG95***V20C	14.50	12.00	48000	38115	1600	7/8	3/8	7/8	3/8	7/8	3/8	NA	A4TXV02
	E*1P62C+TDR		CG95***V20D	14.50	12.00	48000	38115	1600	7/8	3/8	7/8	3/8	7/8	3/8	NA	A4TXV02
	E*1P62C+TDR		CG95***V20C	14.50	12.00	48000	38115	1600	7/8	3/8	7/8	3/8	7/8	3/8	NA	A4TXV02
4AC14L 60P-2	RBCS2M60			14.00	12.00	58000	43514	1800	7/8	3/8	7/8	3/8	1 1/8	3/8	NA	A4TXV02
	BCS2M60	BCS2M60****T		14.00	12.00	58000	43514	1800	7/8	3/8	7/8	3/8	1 1/8	3/8	NA	A4TXV02
	RBCS2M60V			14.50	12.50	58000	43514	1800	7/8	3/8	7/8	3/8	1 1/8	3/8	NA	A4TXV02
	BCS2M60V			14.50	12.50	58000	43514	1800	7/8	3/8	7/8	3/8	1 1/8	3/8	NA	A4TXV02

¹Certified in accordance with Unitary Air Conditioner Certification Program, which is based on AHRI Standard 210/240.

²Required to achieve AHRI rating.

A blower time delay is required to achieve AHRI rating. This feature is standard on all Allied Air Enterprises furnace and air handler products.

Cooling Performance with Extended Ratings

Outdoor Model	Indoor Model Piston or Field Installed TXV	Indoor Temp DB/WB °F	Outdoor Temp - DB°F														
			65			82			95			105			115		
			Btuh	S/T	kW	Btuh	S/T	kW	Btuh	S/T	kW	Btuh	S/T	kW	Btuh	S/T	kW
4AC14L18P-2	E*1P23+TDR+TXV	85/72	20,500	0.65	1.44	19,700	0.69	1.59	19,100	0.72	1.71	17,900	0.74	1.13	16,700	0.75	1.42
		80/67	19,300	0.67	1.39	18,600	0.71	1.74	18,000	0.74	1.65	16,400	0.85	1.39	14,800	0.95	1.30
		75/63	17,900	0.72	1.35	17,200	0.76	1.49	16,700	0.79	1.59	15,600	0.81	1.05	14,600	0.83	1.28
		75/57	17,300	0.81	1.32	16,700	0.85	1.46	16,200	0.88	1.56	15,200	0.91	1.03	14,300	0.93	1.26
4AC14L24P-2	E*1P29+TDR+TXV	85/72	26,300	0.65	1.82	25,200	0.68	2.02	24,400	0.71	2.16	22,900	0.73	2.24	21,500	0.74	2.30
		80/67	24,800	0.67	1.76	23,800	0.70	2.03	23,000	0.73	2.09	21,600	0.75	2.16	20,200	0.76	2.10
		75/63	22,900	0.71	1.70	22,000	0.75	1.88	21,300	0.78	2.01	20,000	0.80	2.08	18,700	0.82	2.09
		75/57	22,300	0.79	1.66	21,400	0.84	1.84	20,700	0.87	1.97	19,500	0.89	2.04	18,300	0.91	2.05
4AC14L30P-2	E*1P29+TDR+TXV	85/72	32,000	0.68	2.05	30,800	0.72	2.27	29,800	0.75	2.43	28,100	0.77	2.51	26,200	0.78	2.51
		80/67	30,200	0.70	1.98	29,000	0.74	2.03	28,000	0.77	2.34	26,400	0.79	2.42	24,700	0.81	2.42
		75/63	27,900	0.75	1.91	26,900	0.79	2.10	26,000	0.82	2.25	24,500	0.84	2.33	22,900	0.86	2.32
		75/57	27,200	0.84	1.88	26,200	0.89	2.07	25,300	0.92	2.21	23,800	0.94	2.29	22,200	0.96	2.29
4AC14L36P-2	E*1P36+TDR+TXV	85/72	38,900	0.65	2.54	37,300	0.68	2.81	36,100	0.71	3.02	33,900	0.73	3.13	31,800	0.74	3.14
		80/67	36,500	0.67	2.45	35,100	0.70	2.71	34,000	0.73	2.91	31,900	0.75	3.01	29,900	0.76	3.01
		75/63	33,800	0.71	2.36	32,500	0.75	2.61	31,500	0.78	2.80	29,600	0.80	2.90	27,700	0.82	2.90
		75/57	32,900	0.79	2.32	31,600	0.84	2.56	30,600	0.87	2.75	28,700	0.89	2.84	26,900	0.91	2.84
4AC14L41P-2	E*1P49+TDR+TXV	85/72	46,000	0.75	1.71	43,733	0.77	2.02	42,000	0.79	2.26	39,700	0.82	2.59	37,400	0.84	2.91
		80/67	45,000	0.76	1.70	42,167	0.79	2.01	40,000	0.81	2.25	37,800	0.84	2.58	35,600	0.87	2.90
		75/63	42,500	0.77	1.69	40,233	0.80	2.00	38,500	0.83	2.24	36,650	0.86	2.57	34,800	0.89	2.89
		75/57	40,000	0.79	1.68	38,017	0.82	1.99	36,500	0.84	2.23	35,000	0.88	2.50	33,500	0.91	2.77
4AC14L42P-2	E*1P49+TDR+TXV	85/72	46,900	0.65	3.13	45,000	0.69	3.12	43,600	0.72	3.10	40,900	0.74	3.54	38,400	0.75	3.81
		80/67	44,100	0.67	3.02	42,400	0.71	3.29	41,000	0.74	3.49	38,500	0.76	3.66	36,100	0.77	3.66
		75/63	40,900	0.72	2.92	39,300	0.76	3.22	38,100	0.79	3.45	35,700	0.81	3.57	33,400	0.83	3.52
		75/57	39,700	0.81	2.87	38,200	0.85	3.16	37,000	0.88	3.39	34,700	0.91	3.50	32,500	0.93	3.45
4AC14L47P-2	E*1P62C+TDR+TXV	85/72	54,000	0.81	2.10	52,583	0.79	2.56	51,500	0.77	2.91	48,750	0.72	3.33	46,000	0.66	3.75
		80/67	53,000	0.82	2.00	50,733	0.80	2.51	49,000	0.79	2.90	46,500	0.81	3.33	44,000	0.83	3.75
		75/63	50,500	0.83	1.99	48,233	0.82	2.50	46,500	0.81	2.89	44,250	0.87	3.30	42,000	0.92	3.71
		75/57	47,000	0.85	1.98	44,733	0.84	2.49	43,000	0.83	2.88	41,500	0.90	3.29	40,000	0.97	3.70
4AC14L48P-2	E*1P62C+TDR+TXV	85/72	54,800	0.67	3.62	52,700	0.71	4.03	51,000	0.74	4.33	47,900	0.76	4.49	44,900	0.77	4.47
		80/67	51,600	0.69	3.52	49,600	0.73	3.89	48,000	0.76	4.16	45,100	0.78	4.33	42,300	0.80	4.33
		75/63	47,800	0.74	3.37	45,900	0.78	3.74	44,500	0.81	4.01	41,700	0.83	4.16	39,100	0.85	4.14
		75/57	46,400	0.83	3.30	44,600	0.82	3.70	43,200	0.81	4.00	40,600	0.88	4.10	38,100	0.95	4.04
4AC14L60P-2	E*1P62C+TDR+TXV	85/72	66,300	0.64	4.41	63,600	0.67	4.89	61,600	0.70	5.27	57,900	0.72	5.46	54,200	0.73	5.42
		80/67	62,400	0.66	4.25	59,900	0.71	4.69	58,000	0.74	5.03	54,600	0.75	5.24	51,100	0.75	5.23
		75/63	57,800	0.70	4.03	55,500	0.74	4.50	53,700	0.77	4.87	50,600	0.79	5.06	47,300	0.81	5.04
		75/57	56,200	0.78	4.02	53,900	0.83	4.45	52,200	0.86	4.78	49,100	0.88	4.96	46,000	0.90	4.94

Note: Extended data shown is actual for models listed and typical for all AHRI matches.

Accessories

Description	Where Used	Catalog #
Crankcase Heater	18, 24, 30, 36	93M04
	41, 42, 47, 48, 60	93M05
Hard Start Kit	18	10J42
	24, 30, 36, 41, 42, 47, 48, 60	88M91
Compressor Low Ambient Kit	All Models	45F08
Sound Blanket	All Models	69J03
Short Cycle Protector	All Models	47J27
Freezestat	3/8 tubing	93G35
	5/8 tubing	50A93
Time Delay Relay	All Models	58M81
Loss of Charge Kit	All Models	84M23

All specifications and illustrations subject to change without notice and without incurring obligations.

CONCORDTM
 Quality heating and cooling products
 www.concord-air.com
 1-800-448-5872

