

H Series DF Peninsula direct vent



an experienced leader in the gas fireplace industry



The Art Of Fire Places

HL38DF-PFC shown

H Series DF Peninsula direct vent

www.montigo.com

Features:

- H38DF-PFC and HL38DF-PFC Fireplace is convertible using Top Vent or Side vent.
- Flush or Clean-Face Design allows for brick or tile installation over the fireplace frame
- Unique linear burner design and technology
- Classic contemporary styling to fit your decor
- Large viewing areas for a full view of the spectacular fire
- Snap-Lock door system for tool free access inside the firebox
- Hi/Lo control for adjusting flame level
- Piezo spark ignition
- Millivolt control allows for continuous operation, even during a power failure
- 100% fail-safe shut-off valve on all models

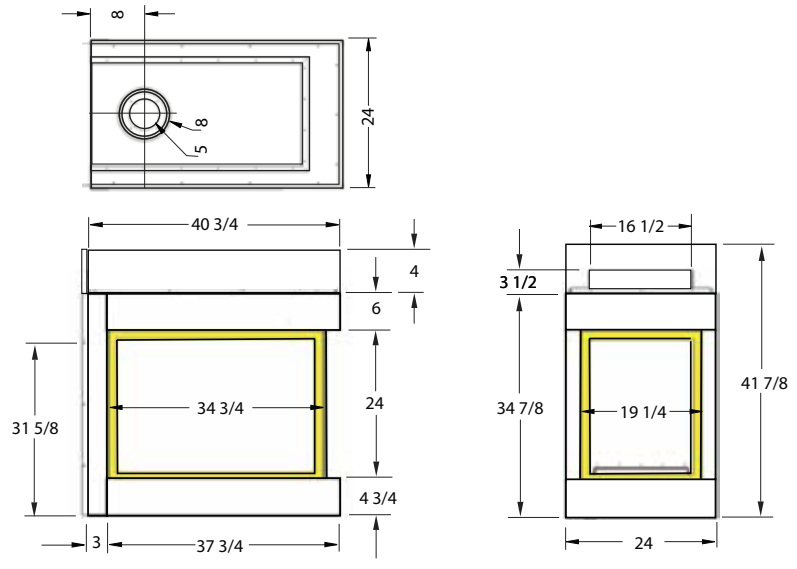


HL38DF-PFC showing standard designer beads.

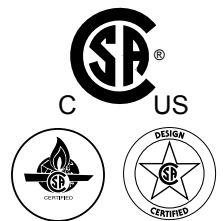
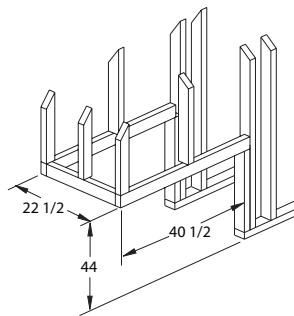
Design Options:

- Factory installed electronic ignition with available battery backup and optional remote control.
- Wireless remote control
- Optional River Rocks
- Optional Full stainless steel, (HL38DF-PFC)

H38DF-PFC & HL38DF-PFC fireplace dimensions



H38DF-PFC & HL38DF-PFC framing dimensions



H38DF-PFC

- 34,000 BTU/H on Natural Gas and 33,000 BTU/H on Propane
- 34 1/2" X 23 1/2" Glass Door Size

HL38DF-PFC

- 34,000 BTU/H on Natural Gas and 33,000 BTU/H on Propane
- 34 1/2" X 23 1/2" Glass Door Size

Consult the owner's manual for complete installation instructions and proper clearances to combustible surfaces prior to installing fireplace.

Warranty: The manufacturer warrants this fireplace to be free from defects in materials and workmanship at the time of manufacture. There is a limited 10 year warranty on the firebox; 5 year limited warranty on the burner and 1 year limited warranty on the pilot burner assembly and fan motors (if included). The valve carries a limited 1 year warranty unless otherwise specified in the installation manual. Glass, plated/painted finishes and refractory lining are exempt.

All specifications, framing dimensions, product designs, materials and colors are subject to change without notice. The actual flame pattern and color may vary slightly from the illustrations. Diagrams and illustrations are not to scale.



MONTIGO DELRAY CORP.

Part# XB1050 - 081208 • Printed in Canada

Langley, BC • Ferndale, WA
Phone : (800) 378-3115 Fax: (866) 300-0927
Email: fireplaces@montigo.com • Website: www.montigo.com