

Zero Clearance Gas Fireplace  
HBZDV4232/3632

Direct Vent Gas Fireplace

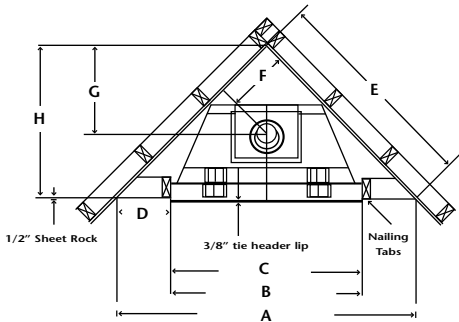


*The ultimate in design, engineering & quality*

# Model HBZDV4232/3632 Specifications

**Corner Framing Dimensions (inches)**

Louvered			Clean View Circulating Kit (CVCK)		
	HBZDV36	HBZDV42		HBZDV36	HBZDV42
A	54 <sup>13</sup> / <sub>16</sub> "	58 <sup>13</sup> / <sub>16</sub> "	A	59 <sup>7</sup> / <sub>8</sub> "	63 <sup>13</sup> / <sub>16</sub> "
B	36 <sup>3</sup> / <sub>8</sub> "	42 <sup>3</sup> / <sub>8</sub> "	B	38 <sup>7</sup> / <sub>16</sub> "	42 <sup>7</sup> / <sub>16</sub> "
C	36"	42"	C	38 <sup>1</sup> / <sub>16</sub> "	42 <sup>1</sup> / <sub>16</sub> "
D	9 <sup>3</sup> / <sub>16</sub> "	8 <sup>1</sup> / <sub>4</sub> "	D	10 <sup>11</sup> / <sub>16</sub> "	10 <sup>1</sup> / <sub>16</sub> "
E	38 <sup>3</sup> / <sub>4</sub> "	41 <sup>5</sup> / <sub>8</sub> "	E	42 <sup>5</sup> / <sub>16</sub> "	45 <sup>1</sup> / <sub>8</sub> "
F	12 <sup>3</sup> / <sub>8</sub> "	13 <sup>3</sup> / <sub>4</sub> "	F	12 <sup>3</sup> / <sub>8</sub> "	13 <sup>3</sup> / <sub>4</sub> "
G	17 <sup>9</sup> / <sub>16</sub> "	19 <sup>1</sup> / <sub>2</sub> "	G	17 <sup>9</sup> / <sub>16</sub> "	19 <sup>1</sup> / <sub>2</sub> "
H	27 <sup>3</sup> / <sub>8</sub> "	29 <sup>7</sup> / <sub>16</sub> "	H	29 <sup>15</sup> / <sub>16</sub> "	31 <sup>7</sup> / <sub>8</sub> "



Top Flue Model	Height		Front Width		Depth	
	Actual	Framing	Actual	Framing	Actual	Framing
<b>Louvers</b>						
HBZDV36	34 <sup>13</sup> / <sub>16</sub> "	35"	36"	36 <sup>3</sup> / <sub>8</sub> "	16 <sup>7</sup> / <sub>16</sub> "	17"
HBZDV42	37"	37 <sup>1</sup> / <sub>8</sub> "	42"	42 <sup>3</sup> / <sub>8</sub> "	16 <sup>7</sup> / <sub>16</sub> "	17"
<b>Clean View Circulating Kit (CVCK)</b>						
HBZDV36	34 <sup>11</sup> / <sub>16</sub> "	41"	38 <sup>1</sup> / <sub>16</sub> "	38 <sup>7</sup> / <sub>16</sub> "	18 <sup>7</sup> / <sub>8</sub> "	19 <sup>1</sup> / <sub>2</sub> "
HBZDV42	36 <sup>13</sup> / <sub>16</sub> "	43"	42 <sup>1</sup> / <sub>16</sub> "	42 <sup>7</sup> / <sub>16</sub> "	18 <sup>15</sup> / <sub>16</sub> "	19 <sup>1</sup> / <sub>2</sub> "

Top Flue Model	Width	Height
<b>Viewing Area</b>		
HBZDV36	29 <sup>3</sup> / <sub>4</sub> "	18 <sup>5</sup> / <sub>8</sub> "
HBZDV42	33 <sup>3</sup> / <sub>8</sub> "	20 <sup>3</sup> / <sub>8</sub> "



Model	HBZDV3632N	HBZDV3632LP
Flue	top	top
Fuel	natural	propane
Input Max.	30,500 BTU	29,000 BTU
Input Min.	20,600 BTU	22,200 BTU
Output Max.	22,875 BTU	21,750 BTU
Efficiency	75%	75%
FE (P4.1-02)	60.9%/56.8%	62.4%/56.8%

Kingsman Industries maintains a program of continuous testing refinement and improvements of all its products. Some aspect of units shown here may be changed at any time without notice or obligation.  
 Certification: The models HBZDV3632/4232 are certified to ANSI Z21.88b-2003/CSA-2.33b-2003, CAN/CGA 2.17-M91, CSA P.4.1-02 vented gas fireplace heater.



**Standard Features**

- Millivolt valve system allows operation during a power failure with Hi/low heat and flame adjustment
- Dual burner with Realistic Flame Pattern
- A flame sensor that constantly monitors the pilot flame and provides 100% gas shut off if pilot is not sensed

**Optional Features**

**Designer Clean View Circulating Kit** – (No Louvers Required), Optional Pull Screens

**Decorative Black Panels or Grills** – Grills available in Black or Classic Series Black with Polish Brass, Antique or Chrome Accents

**Overlay Doors** – Deluxe, Top Half, Double Arch and Double Door

**Designer Doors** – Arch or Straight Black Doors with Antique, Polished or Chrome Trims

**Surrounds Wide** (Louvered Units) - Polish Brass, Antique or Chrome

**Coverage** – HBZDV3632 – 34<sup>1</sup>/<sub>2</sub>" h x 41<sup>1</sup>/<sub>8</sub>" w  
 HBZDV4232 – 36<sup>5</sup>/<sub>8</sub>" h x 45<sup>1</sup>/<sub>8</sub>" w

**Surrounds Slim Line** (Louvered Units) - Polish Brass, Antique Brass, Chrome or Gun Metal Black,

**Coverage** – HBZDV3632 – 34<sup>1</sup>/<sub>4</sub>" h x 37<sup>1</sup>/<sub>2</sub>" w  
 HBZDV4232 – 36<sup>3</sup>/<sub>8</sub>" h x 43<sup>3</sup>/<sub>8</sub>" w

**Fan Kit** – Heat activated with variable speed control

**Brick Refractory Liner** – Traditional or Herringbone

**Thermostat** – Wall Mount Millivolt Thermostat or Programmable Thermostat

**Remote Control** – On/Off, Thermostat On/Off, Hi/Lo On/Off

**Child Safety Screen**



Model HBZDV3632N with HB36GBC Chrome Grill, LOGC60 Log Set and Optional HB36RLT Traditional Refractory Liner, HB36ADDA Double Arch Door

This unit illustrated is a HBZDV3632N Zero Clearance Direct Vent Natural Gas Fireplace, with LOGC60 Log Set - Optional HB36RLH Herring Bone Refractory Liner and HB36DD51BL Designer Straight Door.

